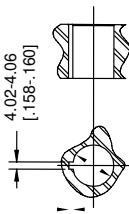


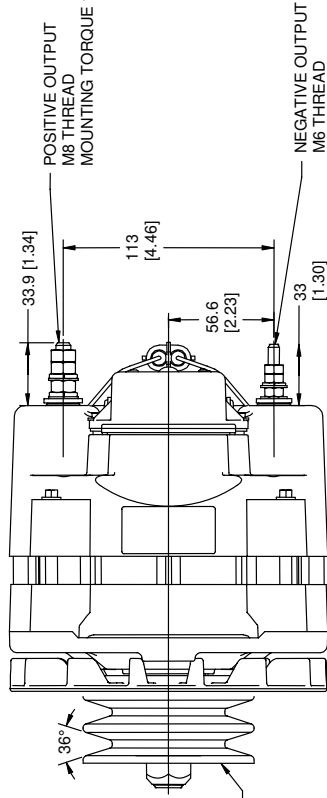
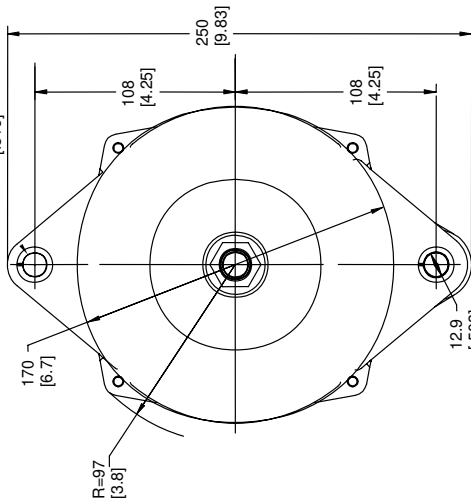
PULLEY HUB DETAIL



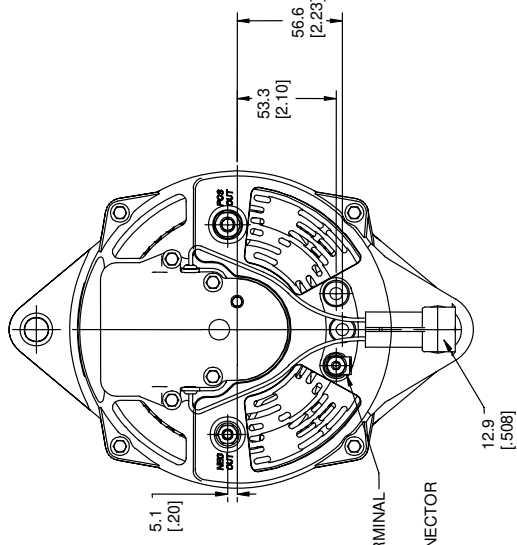
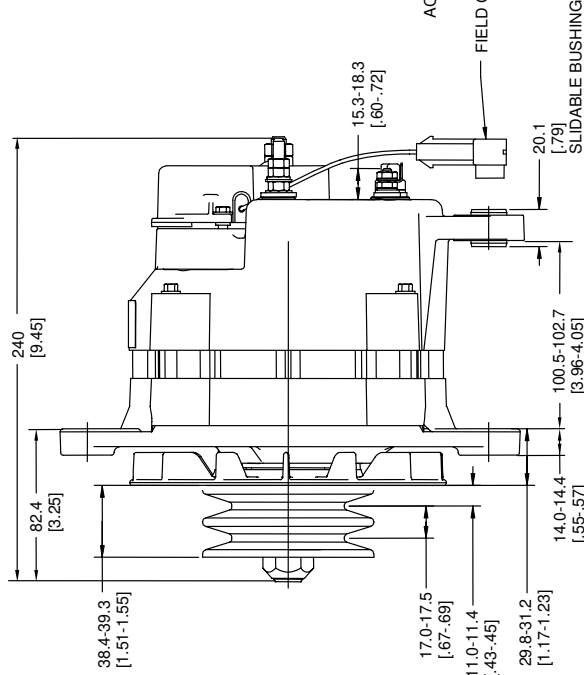
2.14-2.26
[.084-.089]

22.24-22.26
[.8755-.8765]

RECOMMENDED
PULLEY HUB LENGTH



NOMINAL DIAMETER
IS 89 [3.5]



DIMENSIONS IN MM [INCH]

WIRING DIAGRAM

