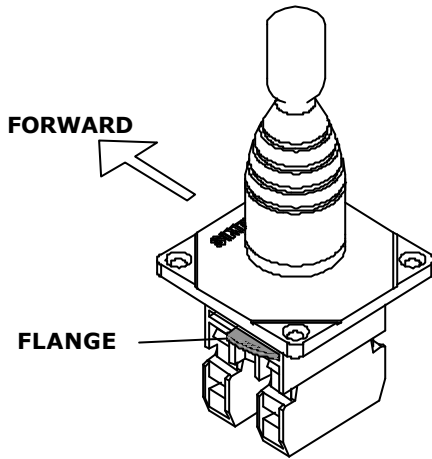


Installation procedure JS10 Joystick

These pages describe the installation procedure, technical specifications and replaceable parts for the Simrad JS10 Joystick.

INSTALLATION

The JS10 is designed for indoor/outdoor panel mounting. It should be installed where it is most convenient for the user, and with special regard to environmental specifications for the unit. Refer page 3.



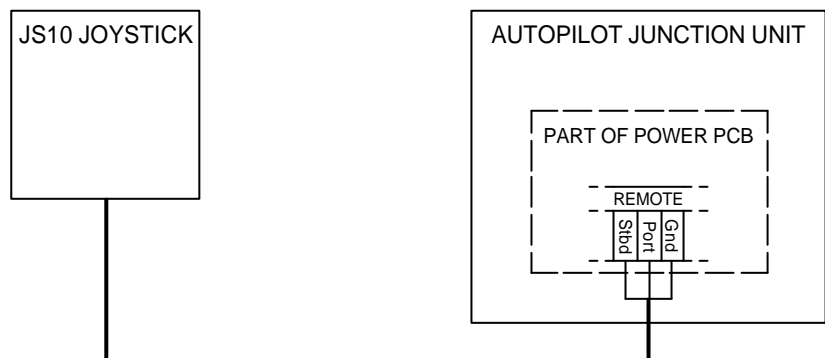
The joystick is anchored to the contact block by means of a snap-on flange. It should not be necessary to disconnect the joystick and the contact block for installation. If they have been disconnected, the joystick and the mounting plate have to be positioned into the contact block according to the drawing to get the correct port and starboard commands.

Refer **Replacement procedure**, page 3.

Use the following procedure when installing the joystick in the panel:

- 1 Drill a $\varnothing 50\text{mm}$ (2 inches) hole where the JS10 is to be fitted. Refer dimensional drawing, page 4
- 2 Locate the JS10 in the hole. Make sure that the Simrad logo is pointing forwards to get correct direction of rudder movement (Port/Starboard) when operating the joystick.
- 3 Fill a sealant under the mounting plate if the unit is mounted outside.
- 4 Fasten the unit to the panel with the four mounting screws.
- 5 Connect the wires to the autopilot junction unit/autopilot computer according to the figure below.

WIRE COLOR	TERMINAL
Blue	Gnd
Red	Port
Green	Stbd
Yellow	Not used



Note: After installation, always check that correct direction of rudder movement is obtained. If not, reverse the red and the green wires!