



QUALITY MARINE  
EQUIPMENT SINCE 1981



**COMPLETE MOUNTING SOLUTIONS  
FOR MARINE ELECTRONICS**





## Complete marine electronic mounting solutions.

Seaview is the global leader in designing and manufacturing mounting solutions for marine electronics. Seaview offers hundreds of installation options for optimal positioning of radar, satellite and tv domes, gps, vhf, camera, searchlights and navigation lights. Seaview mounting solutions will not only provide unmatched strength and durability but look elegant, complementing the styling of your boat.

Working closely with all major electronic manufacturers, we offer an innovative range of high quality products for powerboats, sailboats, yachts, commercial and military vessels. While we offer a comprehensive selection of standard mounts, we also offer personalized mast solutions where the standard mounts may not be suitable. You will find Seaview mounting systems aboard many of the finest yachts around the world.



For more information on Seaview products or to build your own mount please visit us on the web at [www.seaviewglobal.com](http://www.seaviewglobal.com)

**Seaview supporting the world's leading marine electronic manufacturers!**

*See what they have to say on page 42!*

**LOWRANCE®**

**SITEX** 

**Intellian**

**Raymarine®**  
BY  **FLIR**

**GARMIN**  **™**

**FURUNO**

**K|V|H** 

**SIMRAD**

 **FLIR®**

# TABLE OF CONTENTS

## MODULAR MOUNTS

SINGLE MOUNTS..... 7-8  
DUAL MOUNTS..... 9-10  
TOP PLATES..... 11  
LIGHT BARS & LIGHT BAR TOPS ..... 12-13  
MODULAR MOUNT ACCESSORIES..... 14

## POWER BOAT MOUNTS

TAPERED MASTS..... 15-16  
STAINLESS STEEL MOUNTS..... 18  
LOW PROFILE SATDOME ADAPTERS..... 19-20  
DIRECT MOUNT WEDGES..... 23

## CAMERA & SEARCH LIGHT MOUNTS

CAMERA & SEARCH LIGHT MOUNTS..... 21-22

## SAILBOAT MOUNTS

MAST MOUNTS..... 24-26  
POLE MOUNTS..... 27-28

## INSTRUMENT MOUNTS

POWER PODS..... 29-30  
SAIL INSTRUMENT PODS..... 31  
DECK INSTRUMENT PODS..... 32  
RAIL INSTRUMENT PODS..... 34  
SAIL, DECK & RAIL POD REFERENCE GUIDE..... 33

## CABLE GLAND

CABLE GLAND..... 35-36

## PERSONALIZED OPTIONS

PERSONALIZED MAST OPTIONS..... 37-38  
CUSTOM FINISHES..... 39

## MANUFACTURER TESTIMONIALS

MANUFACTURER TESTIMONIALS..... 41-42

“ PYI worked closely with us to supply a mast with our fairly extensive custom modification requests. ”

Gary Johnson  
Applied Engineering Manager  
Navatek Ltd.



“We rig them to be “dream boats” with every conceivable option and technology. Seaview’s flexible line of electronics mounting solutions makes it easy to fit our full system including radar, satellite TV and thermal night vision. Their customizable masts and mounts are rugged, reliable and they look fantastic too. They blend seamlessly with the design of today’s modern sport-fishing boats and look totally built-in, not bolt-on. That’s really appreciated by the boat builders we work with on these projects too.”

Jim McGowan  
Americas Marketing Manager  
FLIR Maritime and Raymarine

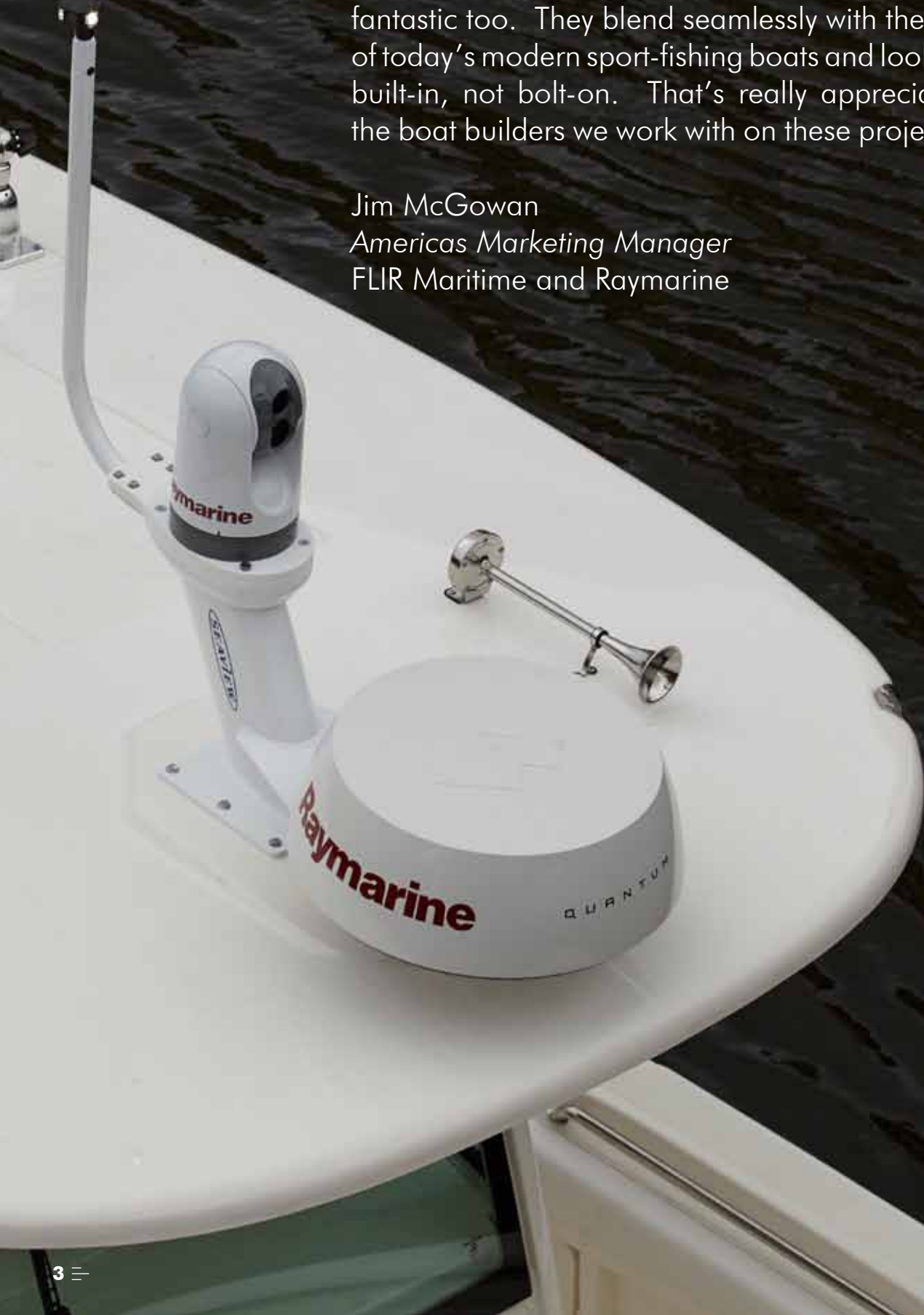


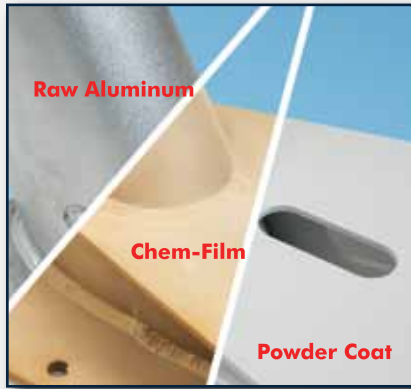
Image courtesy of Raymarine.  
(Seaview PMA-DM1-M2, ADA-F1, LTBA-S and LTBA-7800 shown.)

# HERE'S WHY YOU SHOULD **CHOOSE SEAVIEW**



## **PERFORMANCE**

Seaview mounts will properly elevate your electronics to eliminate interference, safely clear those on board and encourage longevity of the electronics.



## **DURABLE**

Unlike any other mount available, Seaview takes the finish to another level. We now Chem-Film (same process used by Boeing) each high grade aluminum part prior to our standard 3 part epoxy prime and powder coat to ensure the best possible finish and corrosion resistance.



## **MODULAR DESIGN**

Simple 3 step system to choose your Seaview mount and accessories. Visit the website for a simple selector guide.

1. Pick Mount Style
2. Select Top Plate
3. Choose Accessories



## **SPACE SAVING**

Compact Seaview mounts help you get all of your marine electronics with one simple solution. Small footprints and one center hole for wiring point of entry.



## **HIGH QUALITY**

Our Robotic Welding provides maximum efficiency while producing consistently superior welds. The Lincoln Fanuc 55E Single Station, AM120iC/12L with 6 axis robotic arm and 2 axis turntable was specifically programmed to weld our Seaview products.

This robot is operated by our very experienced welding team, manufacturing our Seaview products for stock, commercial and military applications including OEM parts.



“ Monterey Boats exclusively uses PYI, Inc. Seaview mounts for all of their sport yachts and enjoys the quality and relationship they have with PYI, Inc. ”

Mark Owens  
*Vice President of Design & Engineering*



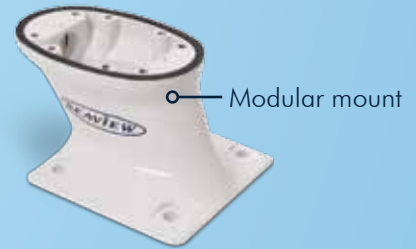
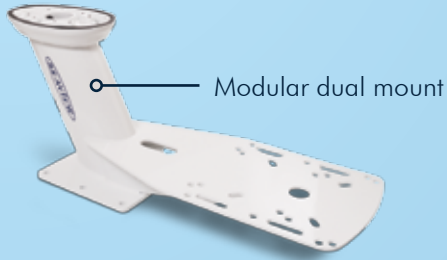
# FOR RADARS, OPEN ARRAYS & SATDOMES

# MODULAR MOUNTS

## Easy 3 Step Solution

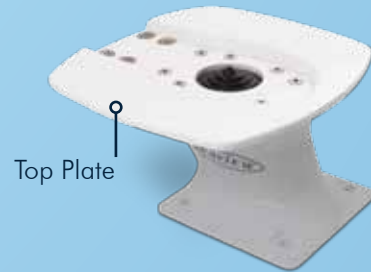
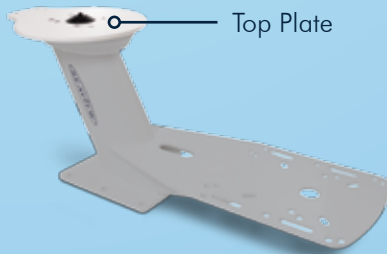
**STEP 1**  
REQUIRED

**Select Mount Base Style and Height** - Pages 7-10



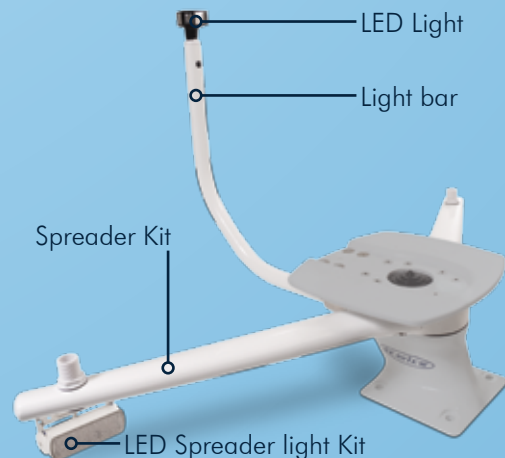
**STEP 2**  
REQUIRED

**Choose Your Modular Top Plate** - Page 11



**STEP 3**  
OPTIONAL

**Select Light Bar and Optional Accessories** - Pages 12-14

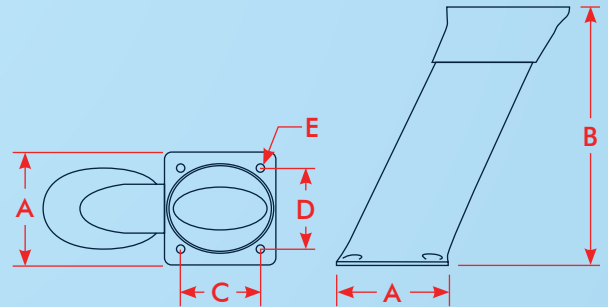


**STEP 1**  
REQUIRED

# CHOOSE A MODULAR MOUNT

## FORWARD LEANING

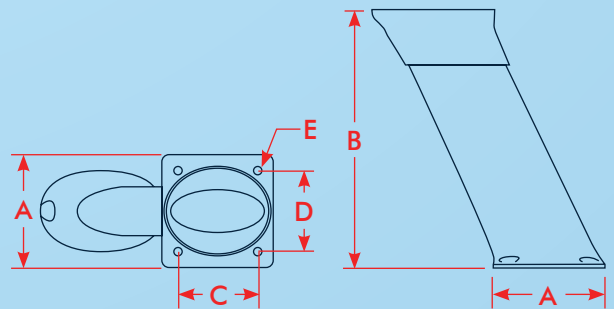
- 18" - 24" closed dome radars
- 16" diameter or smaller satdomes
- 10" tall mounts are not to be used with open array radars



Model #	A inch /mm	B inch /mm	C & D inch /mm	E inch /mm
<b>PMF-57-M1</b>	7 / 177.8	5 / 127	5 / 127	.5 / 12.7
<b>PMF-107-M1</b>	7 / 177.8	10 / 254	5 / 127	.5 / 12.7

## AFT LEANING

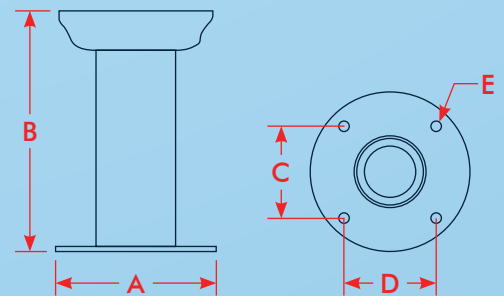
- 18" - 24" closed dome radars
- 16" diameter or smaller satdomes
- 10" - 36" tall mounts are not to be used with open array radars



Model #	A inch /mm	B inch /mm	C & D inch /mm	E inch /mm
<b>PMA-57-M1</b>	7 / 177.8	5 / 127	5 / 127	.5 / 12.7
<b>PMA-107-M1</b>	7 / 177.8	10 / 254	5 / 127	.5 / 12.7
<b>PMA-167-M1</b>	7 / 177.8	16 / 406.4	5 / 127	.5 / 12.7
<b>PMA-247-M1</b>	7 / 177.8	24 / 609.6	5 / 127	.5 / 12.7
<b>PMA-367-M1</b>	8 / 203.2	36 / 914.4	6.5 / 165.1	.5 / 12.7

## VERTICAL

- 18" - 24" closed dome radars
- 24" diameter or smaller satdomes
- Not to be used with open array radars

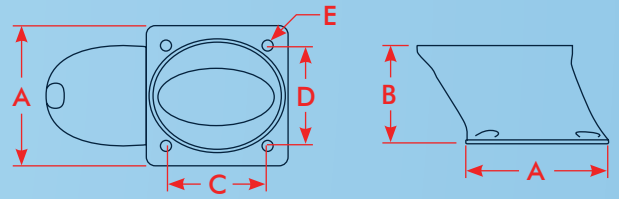


Model #	A inch /mm	B inch /mm	C & D inch /mm	E inch /mm
<b>AM5-M1</b>	8 / 203.2	5 / 127	4.77 / 121.2	.5 / 12.7
<b>AM12-M1</b>	8 / 203.2	12 / 304.8	4.77 / 121.2	.5 / 12.7
<b>AM18-M1</b>	8 / 203.2	18 / 457.2	4.77 / 121.2	.5 / 12.7



## OPEN ARRAY RADAR MOUNT

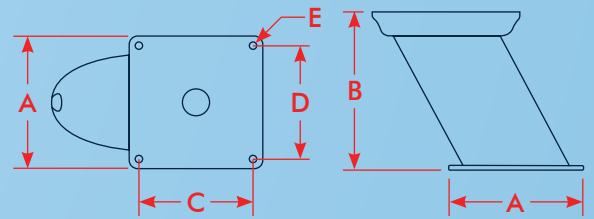
- Up to 6' open array radars
- Forward or aft leaning



Model #	A inch / mm	B inch / mm	C & D inch / mm	E inch / mm
<b>PMF-57-M1</b> (FWD Leaning)	7 / 177.8	5 / 127	5 / 127	.5 / 12.7
<b>PMA-57-M1</b> (AFT Leaning)	7 / 177.8	5 / 127	5 / 127	.5 / 12.7

## SATDOME MOUNT

- 16" - 24" diameter satdomes
- Aft leaning
- Not to be used with open array radars



Model #	A inch / mm	B inch / mm	C & D inch / mm	E inch / mm
<b>PMA-57-M1</b>	7 / 177.8	5 / 127	5 / 127	.5 / 12.7
<b>PMA-1210-M2</b>	10 / 254	12 / 304.8	8.5 / 215.9	.5 / 12.7
<b>PMA-1810-M2</b>	10 / 254	18 / 457.2	8.5 / 215.9	.5 / 12.7

Seaview **Dual Mounts** are  
on pages **9 & 10**

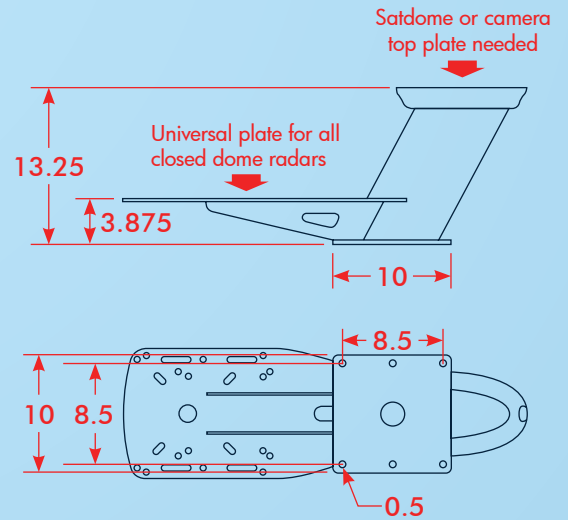


**STEP 1**  
REQUIRED

# CHOOSE A MODULAR MOUNT

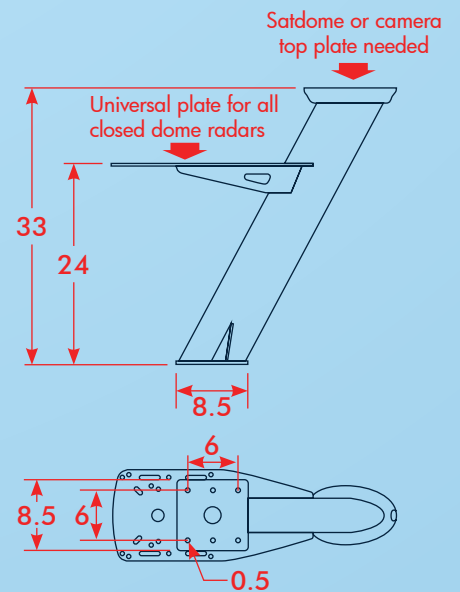
## PMA-DM1-M2

- 18" - 24" closed dome radars
- 16" - 24" satdomes
- Cameras



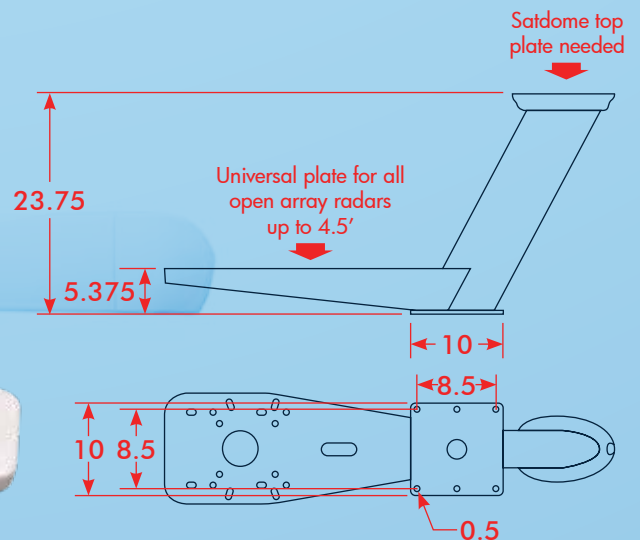
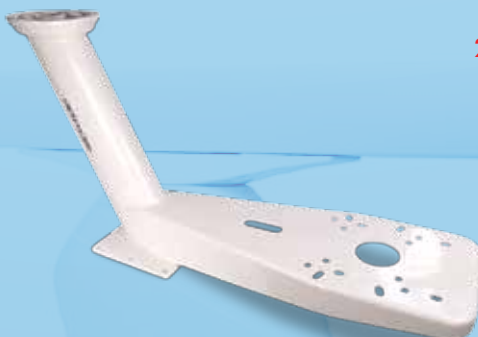
## PMA-DM124-M2

- 18" - 24" closed dome radars
- 16" - 18" satdomes
- Cameras



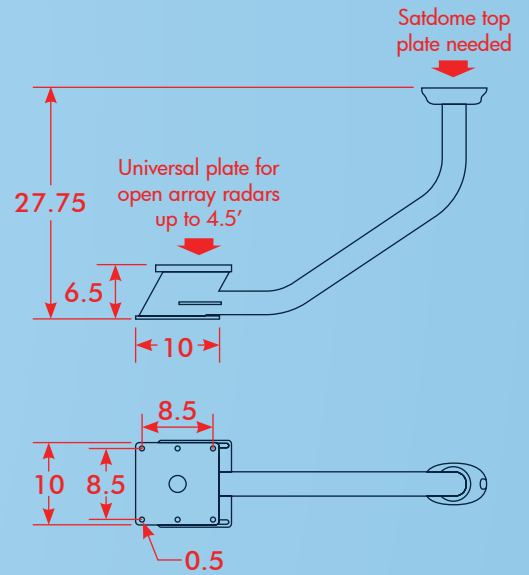
## PMA-DM2-M2

- Up to 4.5' open array radars
- 16" - 24" satdomes



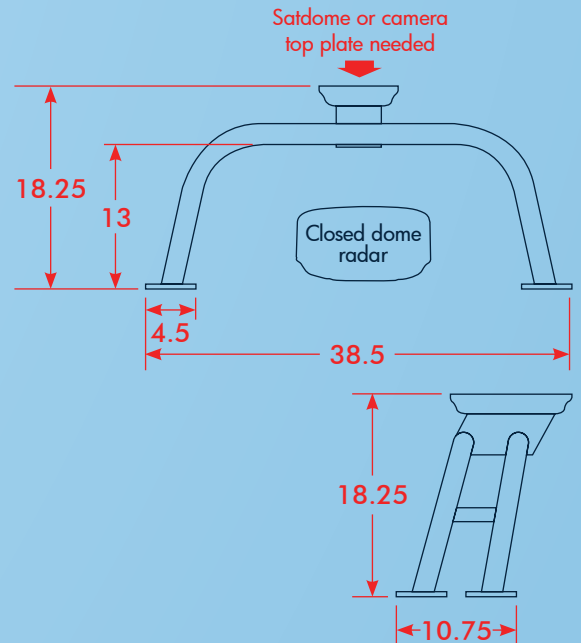
### PMA-DM3-M1

- Up to 4.5' open array radars
- 16" - 18" satdomes



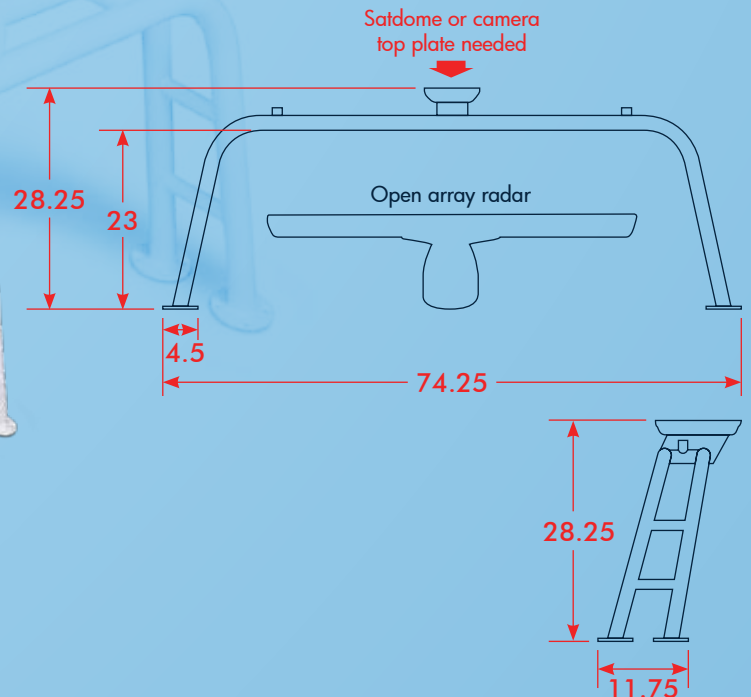
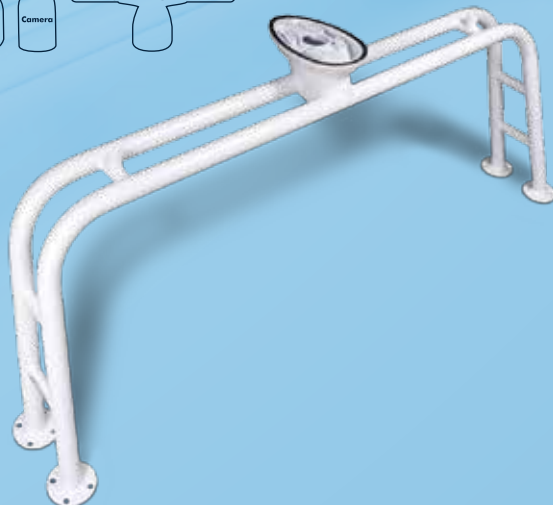
### ARCH-1M2

- 18" - 24" closed dome radars
- 16" - 24" satdomes
- Cameras



### ARCH-2M2

- Up to 4.5' open array radars
- 16" - 24" satdomes
- Cameras





**STEP 2**  
REQUIRED

# SELECT A TOP PLATE

**NOTE:** If you have selected a modular mount ending in "M1" use the M1 column below. Mounts ending in "M2" use M2 column.

M1 fits modular mounts ending in M1. Example: PMA-57-M1

M2 fits modular mounts ending in M2. Example: PMA-DM1-M2

M1 M2 Light Bar

	M1	M2	Light Bar
<b>COMNAV</b>			
Explorer V2/V3	ADABLANK	ADABLANK	LTB-S
<b>FLIR</b>			
MD-Series, M-Series	ADA-F1	ADA-F1	LTB-S
<b>FURUNO</b>			
15" - 24" radar domes	ADA-R1	N/A	LTB-R
4'-6' open array radar	ADA-R1	N/A	LTB-OA or LTB-OA-6
Open array radar 1942	ADA-R2	ADAR1DMLTB	LTB-OA
<b>GARMIN</b>			
GMR18(HD), GMR18x(HD)	ADA-R1	ADAR1DMLTB	LTB-R
GMR24(HD), GMR24x(HD)	ADA-R1	ADAR1DMLTB	LTB-R
Fantom, 4'-6' open array radar	ADA-R1	ADAR1DMLTB	LTB-OA or LTB-OA-6
<b>GEONAV</b>			
24" radar domes	ADA-R1	N/A	LTB-R
3.5' - 4.5' open array radar	ADA-R1	N/A	LTB-OA or LTB-OA-6
<b>GLOMEX</b>			
20" - 27" Satdome	ADA-S1	ADA-S3	LTB-S24
<b>INTELLIAN</b>			
i2	ADA-S1	ADA-S3	LTB-S
i3	ADA-S1	ADA-S1	LTB-S
i4, i4P	ADA-S2	ADA-S2	LTB-S
i5	ADA-S2	ADA-S2	LTB-S24
i6, i6P, S6HD, FB500	ADA-S2	ADA-S2	LTB-S24
FB150, FB250	ADA-S4	ADA-S4	LTB-S
<b>JRC</b>			
15" radar domes	ADA-R1	N/A	LTB-R
24" radar domes	ADA-R2	N/A	LTB-R
<b>KODEN</b>			
18"-25" radar domes	ADA-R1	N/A	LTB-R
4' - 6' open array radar	ADA-R1	ADAR1DMLTB	LTB-OA or LTB-OA-6
<b>KVH</b>			
M1DX, M1, TV1	ADA-S1	ADA-S3	LTB-S
M2, M3, M3DX, M3ST, V3, V3-IP, TV3	ADA-S1	ADA-S1	LTB-S
M5, TV5, FB250(18")	ADA-S2	ADA-S2	LTB-S
M7, M7SK, HD7, V7, TV6, FB500(26"), V3-IP(24")	ADA-S2	ADA-S2	LTB-S24
V7-IP	CALL	CALL	CALL
FB150(10.8"), FB250(14"), Fleet One, Fleet33	ADA-S4	ADA-S4	LTB-S

	M1	M2	Light Bar
<b>LOWRANCE</b>			
3G, 4G radar domes	ADA-R1	ADAR1DMLTB	LTB-R
<b>LORENZ</b>			
12" - 24" radar domes	ADA-R1	N/A	LTB-R
4' - 6' open array radar	ADA-R1	N/A	LTB-OA or LTB-OA-6
<b>RAYMARINE</b>			
18" - 24" radar domes	ADA-R1	ADAR1DMLTB	LTB-R
Quantum radar	ADA-R1	ADAR1DMLTB	LTB-R
4'-6' open array radar	ADA-R1	N/A	LTB-OA or LTB-OA-6
33STV	ADA-S1	ADA-S3	LTB-S
37STV	ADA-S1	ADA-S1	LTB-S
45STV	ADA-S2	ADA-S2	LTB-S
60STV	ADA-S2	ADA-S2	LTB-S24
T200, T300, T400	ADA-F1	ADA-F1	LTB-S
<b>SEA-TEL (COBHAM)</b>			
ST14, FX150 (16.5")	ADA-S2	ADA-S2	LTB-S24
C18, FX250 (24")	ADA-S2	ADA-S2	LTB-S24
<b>SIMRAD</b>			
3G, 4G radar domes	ADA-R1	ADAR1DMLTB	LTB-R
DX64S	ADA-R2	N/A	LTB-R
TX06S	ADA-R1	N/A	LTB-OA
TX10S	ADA-R1	N/A	LTB-OA6
4' - 6' Halo™ open array radar	ADA-R1 + ADA-HALO-3	N/A	LTB-OA or LTB-OA-6
4' - 6' RB series open array radar	ADA-R1	N/A	LTB-OA or LTB-OA6
<b>SITEX</b>			
18" (T760/T921) radar domes	ADA-R1	N/A	LTB-R
24" (T761) radar domes	ADA-R2	N/A	LTB-R
25" radar domes	ADA-R1	N/A	LTB-R
4'-6' open array radar	ADA-R1	N/A	LTB-OA or LTB-OA-6
<b>SEIWA / TECHMARINE</b>			
12" - 24" radar domes	ADA-R1	N/A	LTB-R
4'-6' open array radar	ADA-R1	N/A	LTB-OA or LTB-OA-6
<b>THRANE &amp; THRANE</b>			
FB150, FB250, Fleet 33, 33+	ADA-S4	ADA-S4	LTB-S
Sailor FB500 (3052A/2B), Fleet 55+	ADA-S1	ADA-S3	LTB-S24
<b>VDO</b>			
Ocean Line 132 (18")	ADA-S1	ADA-S3	LTB-S
Ocean Line 337 (15")	ADA-S1	ADA-S1	LTB-S
Ocean Line 345 (18")	ADA-S2	ADA-S2	LTB-S
Ocean Line 360, 445, 460 (24")	ADA-S2	ADA-S2	LTB-S24



Seaview Top Plates come with a drill template for precise drilling for your radar, satdome, search light or thermal camera.

**STEP 3**  
OPTIONAL

# CHOOSE OPTIONAL ACCESSORIES

## LIGHT BARS



**LTB-R** for 18" - 24" closed dome radars. This light bar can fold over 90°.



**LTB-S** for 20" or smaller satdomes. This light bar can fold over 90°.



**LTB-OA** for open array radars up to 4½'.

**LTB-OA-6** for 6' open array radars.

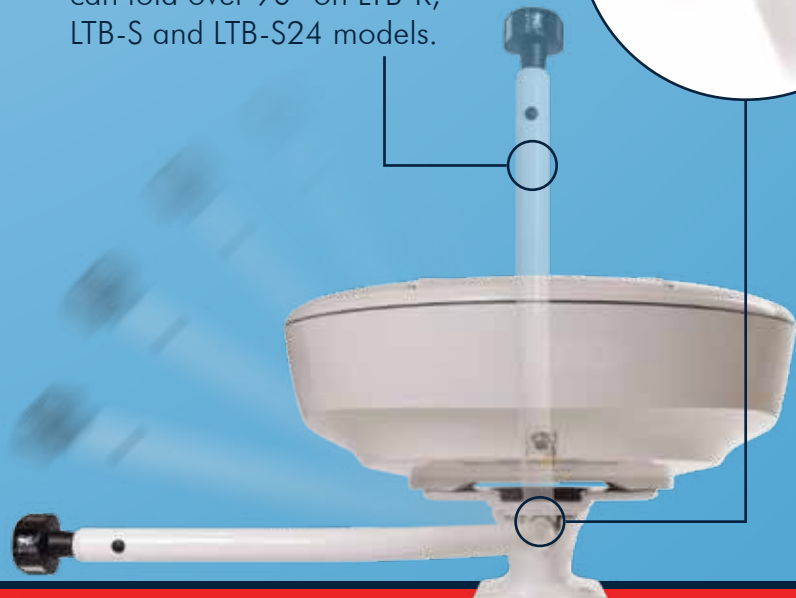
**LTB-S24** for 26" or smaller satdomes. This light bar can fold over 90°.



**LTB-SF** A 2" diameter Light Bar designed to work with FLIR M-Series, MD Series or Raymarine T-Series thermal cameras. Contact Seaview directly to make sure this light bar is right for your boat. Not intended for fast ocean going boats. **Designed to fit Seaview modular mounts ending in M2 only.** This will clear 20" satdomes or smaller.

Please note that light bars do not come with a light. Select a light bar top for your light bar on page 13.

Light bars are removable and can fold over 90° on LTB-R, LTB-S and LTB-S24 models.



# CHOOSE OPTIONAL ACCESSORIES

## LIGHT BAR TOPS



**LTBP-1197**  
Perko 1197 Anchor light & 7' of wire (12v). Can be converted to 24v.



**LTBA-7800**  
Attwood LED light & 7' of wire (12v).



**LTB-BOX**  
(4" x 4 1/2") Box Top to fit 3 navigation lights or similar. Please note that this does not come with lights.



**LTB-U1A**  
(2 1/2" x 7") Allows you to mount a single light or a GPS and a light. Lights and GPS not included.



**PM-U2A**  
Allows you to mount a single light and two GPS units. Light and GPS not included.



**LTB-U**  
Adapter to mount a GPS or wind transducer. The threads are 1-14.

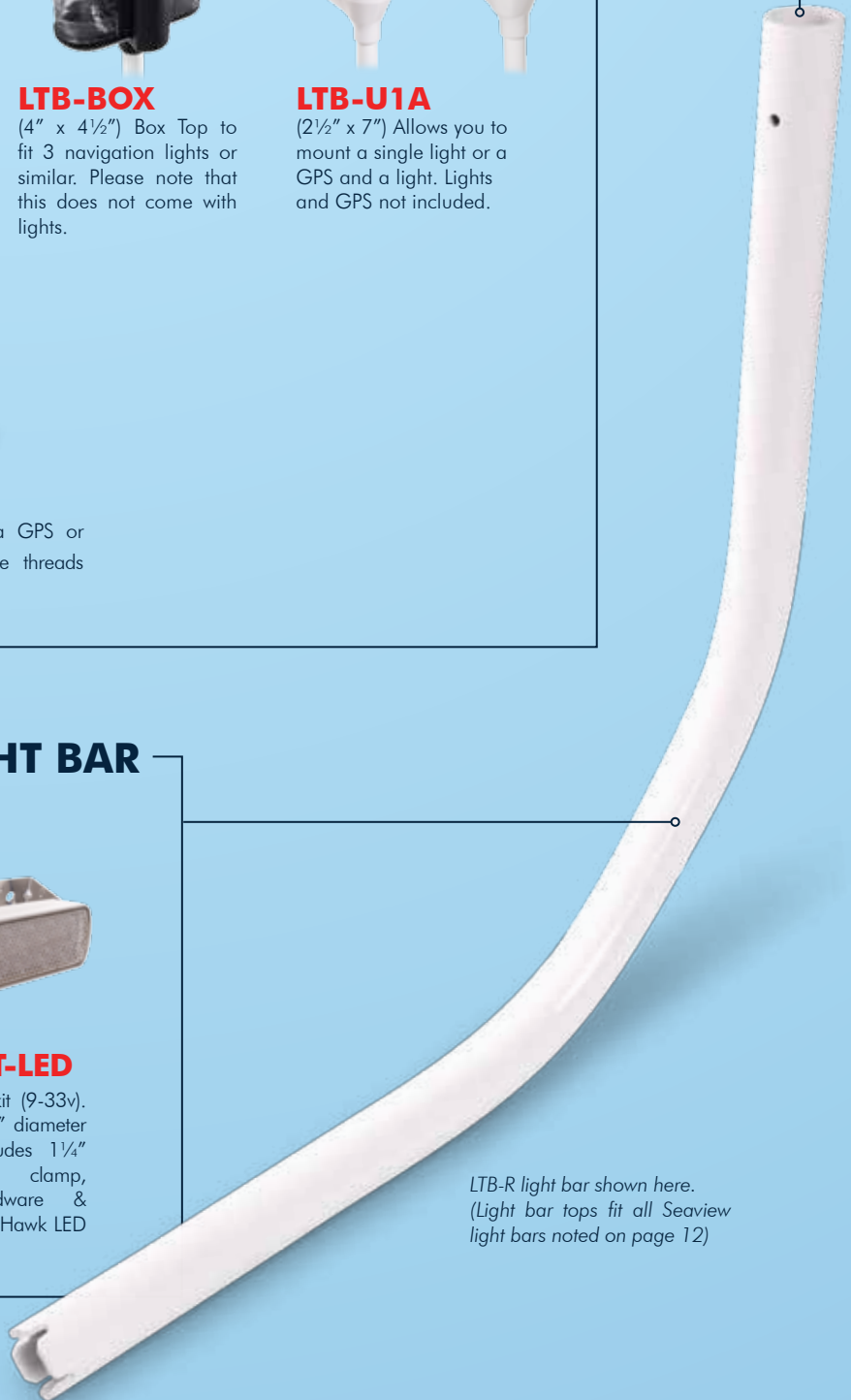
## FLOODLIGHTS FOR LIGHT BAR



**PM-114LT-DLX**  
Halogen Floodlight kit (12v). For Seaview 1 1/4" diameter light bars. Includes 1 1/4" stainless steel clamp, mounting hardware & Optronics DL-55CB.



**PM-114LT-LED**  
LED Floodlight kit (9-33v). For Seaview 1 1/4" diameter light bars. Includes 1 1/4" stainless steel clamp, mounting hardware & Hella 0670 Sea Hawk LED Floodlight.



*LTB-R light bar shown here.  
(Light bar tops fit all Seaview light bars noted on page 12)*



**STEP 3**  
OPTIONAL

# CHOOSE OPTIONAL ACCESSORIES

## SPREADER KITS

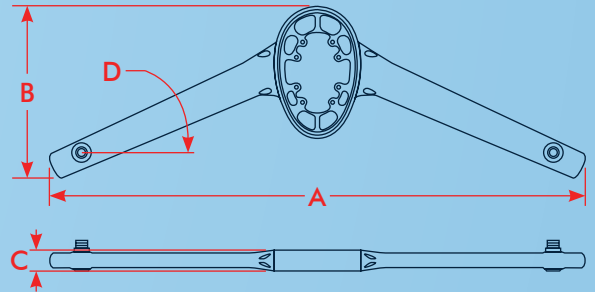


### SP1-MOD

Fits all Seaview mounts that end in "M1".  
For example PMA-57-M1.

### SP2-MOD

Fits all Seaview mounts that end in "M2".  
For example PMA-DM2-M2.



	A	B	C	D
	inch / mm	inch / mm	inch / mm	
<b>SP1-MOD</b>	42.4 / 1077	12.625 / 320.67	1.75 / 44.45	25°
<b>SP2-MOD</b>	44.5 / 1130.3	14.282 / 362.76	1.75 / 44.45	25°



### Spreader Kit Accessories

**SP-LT-LED** Enhance your visibility with a Seaview spreader LED floodlight kit. This kit includes stainless steel bracket, mounting hardware & Hella 0670 Sea Hawk LED Floodlight. (9-33v)

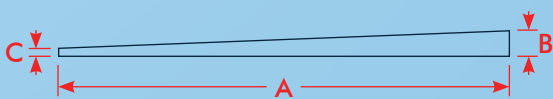


Do NOT use 4' or taller fiberglass antennas on nylon or plastic adapters! 4' or smaller stainless steel whip antennas ok. If you need to mount 4' or taller fiberglass antennas you must use this stainless steel 1-14 threaded insert. (Sold separately, part # **SP7-SS**)

## BASE WEDGES



Most common planing attitude requires 3-4° of adjustment. If you are unsure which to choose then we recommend the 4° wedge. We do however offer 2° & 6° wedges if you feel a little more or a little less is better for your application.



	Angle of Wedge	A	B	C
		inch / mm	inch / mm	inch / mm
<b>PM-W2-7</b>	2°	7 / 177.80	.369 / 9.372	.125 / 3.175
<b>PM-W4-7</b>	4°	7 / 177.80	.614 / 15.596	.125 / 3.175
<b>PM-W6-7</b>	6°	7 / 177.80	.861 / 21.869	.125 / 3.175
<b>PM-W4-8</b>	4°	8 / 203.20	.684 / 17.374	.191 / 4.841
<b>PM-W4-10</b>	4°	10 / 254	.95 / 24.130	.25 / 6.350

## HINGE ADAPTERS



- PM-H7** For 7"x7" base plate. Fits 5" - 24" tall radar mounts.
- PM-H8** For 8"x8" base plate. Fits 36" tall radar mounts.
- PM-H10** For 10"x10" base plate. Not to be used for PMA-DM2-M2 or PMA-200 series mounts.

Captive knobs means these will stay with the hinge when it's open or closed.



The hinge adapter can hinge back 180°. Allowing you to have the most clearance possible.

# TAPERED MASTS


## FOR MOST CLOSED & OPEN ARRAY RADARS

### PMA-100S



Sold with standard 1-14 threaded fitting made out of nylon to eliminate corrosion

\* Not to exceed 4' antennas on spreaders



Do NOT use 4' or taller fiberglass antennas on nylon or plastic adapters! 4' or smaller stainless steel whip antennas ok. If you need to mount 4' or taller fiberglass antennas you must use this stainless steel 1-14 threaded insert. (Sold separately, part # **SP7-SS**)

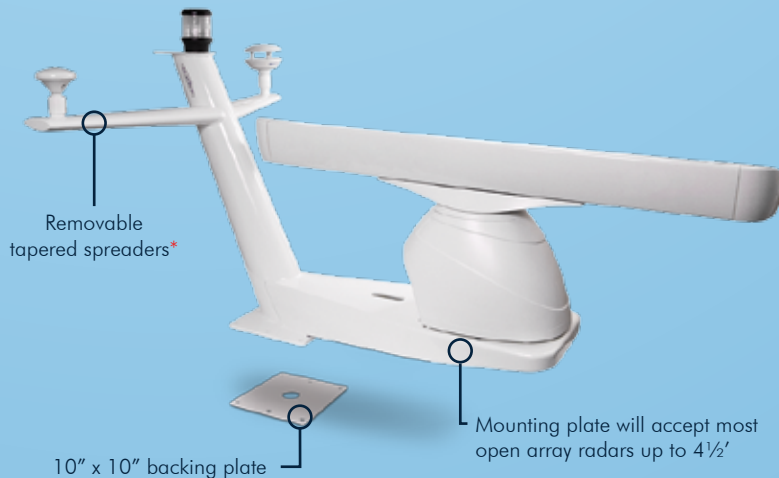


### PMA-BC-37S

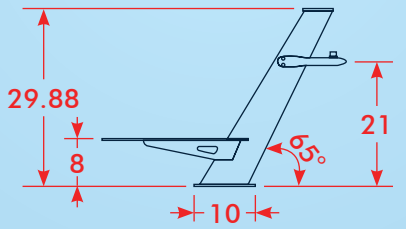


Sold with standard 1-14 threaded fitting made out of nylon to eliminate corrosion

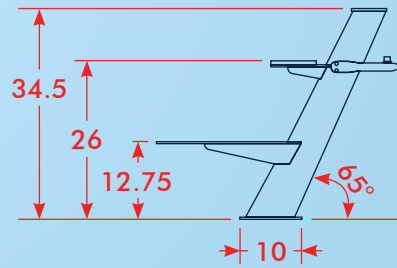
### PMA-200



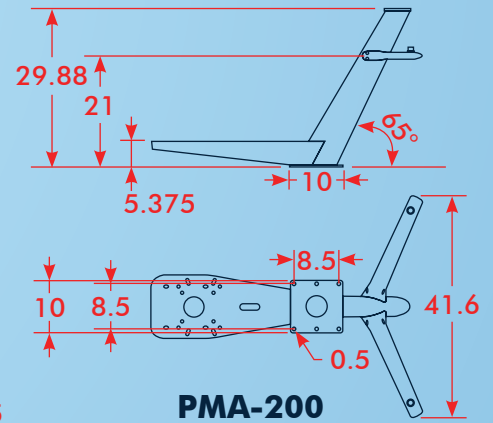
## DIMENSIONS



**PMA-100S**



**PMA-BC-37S**



**PMA-200**

“ Back Cove Yachts offers 5 different models and produces 60+ boats per year. We require parts and materials to be delivered on a schedule and be of excellent quality. We have been able to rely on PYI, Inc. to deliver the parts we need, when we need them and maintain the quality levels we expect. PYI, Inc. has remained a significant source in our supply chain. In part because of the reasons mentioned above, but also due to outstanding customer service and engineering support. We look forward to continuing an exceptional partnership for years to come. ”

Keith Warren  
Engineering Manager  
Back Cove Yachts

Image courtesy of Back Cove Yachts / Downeast 37  
(Seaview PMA-BC-37S mast shown.)







“ Meridian Yachts is one of the top selling bridge boat brands in the world. Superior design and proven materials make the Meridian fleet among the finest on the water. Meridian has partnered with PYI Inc, Seaview because of a shared promise to deliver exceptional quality and value to its customers. The Seaview products have proven over time to meet our needs and those of our customers. ”

Bill Gowan  
*Director Of Engineering*  
Meridian Yachts

Image courtesy of Meridian.  
(Seaview PMA-24-ROALM shown.)

# STAINLESS STEEL MOUNTS

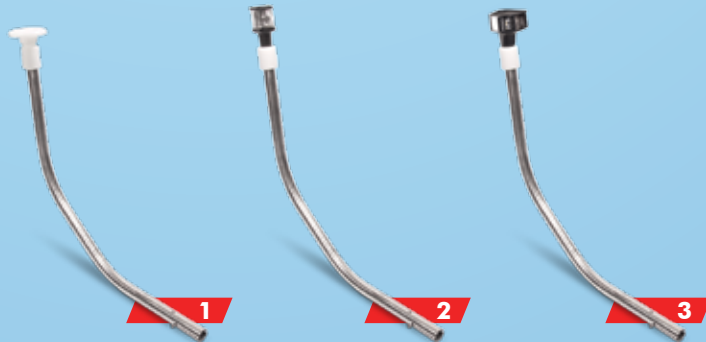
FOR MOST CLOSED DOME & OPEN ARRAY RADARS



## PART NUMBER GUIDE

<b>FURUNO</b>	
15" - 24" radar domes	<b>PMA-5-7LSS</b>
4' open array radar	<b>PMA-5-7LSS</b>
<b>GARMIN</b>	
18" - 24" radar domes	<b>PMA-5-7LSS</b>
Fantom, 4' open array radar	<b>PMA-5-7LSS</b>
<b>GEONAV</b>	
24" radar domes	<b>PMA-5-7LSS</b>
4' open array radar	<b>PMA-5-7LSS</b>
<b>JRC</b>	
15" radar domes	<b>PMA-5-7LSS</b>
<b>KODEN</b>	
18" - 25" radar domes	<b>PMA-5-7LSS</b>
4' open array radar	<b>PMA-5-7LSS</b>
<b>LOWRANCE</b>	
3G, 4G radar domes	<b>PMA-5-7LSS</b>
<b>LORENZ</b>	
12" - 24" radar domes	<b>PMA-5-7LSS</b>
4' open array radar	<b>PMA-5-7LSS</b>
<b>RAYMARINE</b>	
18" - 24" Radomes	<b>PMA-5-7LSS</b>
Quantum radar	<b>PMA-5-7LSS</b>
4' open array radar	<b>PMA-5-7LSS</b>
<b>SIMRAD</b>	
3G, 4G radar domes	<b>PMA-5-7LSS</b>
TX06S, TX10S	<b>PMA-5-7LSS</b>
4' Halo™ open array radar	<b>PMA-5-7LSS</b> + <b>ADAHALO3</b>
4' RB Series open array radar	<b>PMA-5-7LSS</b>
<b>SITEX</b>	
12" - 25" radar domes	<b>PMA-5-7LSS</b>
4' open array radar	<b>PMA-5-7LSS</b>
<b>SEIWA</b>	
12" - 24" radar domes	<b>PMA-5-7LSS</b>
4' open array radar	<b>PMA-5-7LSS</b>

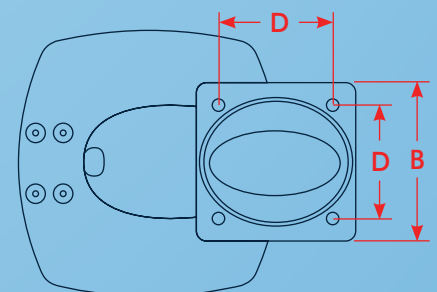
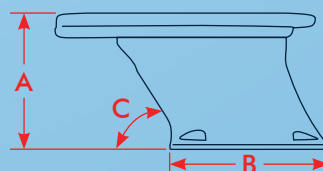
## STAINLESS STEEL LIGHT BARS



- 1 LTB-SS** stainless steel light bar for a GPS or light. Features a 3" diameter nylon universal top.
- 2 LTB-100-SS** stainless steel light bar with Perko 1197 anchor light. Comes with 7' wire lead.
- 3 LTB-100-SS-LED** stainless steel light bar with Attwood LED light. Comes with 7' wire lead.

## DIMENSIONS

	A	B	C	D	E
	inch /mm	inch /mm	Degrees	inch /mm	inch /mm
<b>PMA-5-7LSS</b>	5 / 127	7 / 177.8	80°	5 / 127	.25 / 6.35





# LOW PROFILE ADAPTERS

FOR MOST SATDOMES

## OPTIMIZE YOUR SATDOME INSTALLATION

The Seaview low profile adapters will reduce the footprint of your satdome. Add an AMA-W wedge to your installation to level your satdome when installing on sloped surfaces.



### ACCESSORY | AMA-W

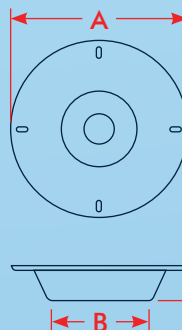


By rotating the **AMA-W** wedge halves you can achieve 0° - 12° of adjustment. The AMA-W wedge works with AMA-16, AMA-18, AMA-24 and AMA-GXF only.

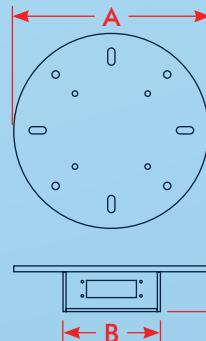
## DIMENSIONS

	A inch /mm	B inch /mm	C inch /mm
<b>AMA-14</b>	8 / 203.2	4.75 / 120.6	2.75 / 69.85
<b>AMA-16</b>	12 / 304.8	8 / 203.2	2.75 / 69.85
<b>AMA-18</b>	14.25 / 362	8 / 203.2	2.75 / 69.85
<b>AMA-18IP</b>	14.25 / 362	8 / 203.2	3 / 76.2
<b>AMA-24</b>	19 / 482.6	8 / 203.2	2.75 / 69.85
<b>AMA-32</b>	17 / 431.8	8 / 203.2	4 / 101.6
<b>AMA-GXF</b>	12 / 304.8	8 / 203.2	3.25 / 82.55

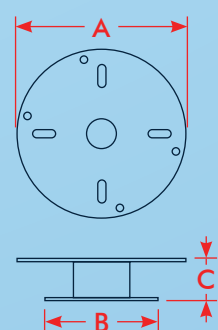
AMA-14 / AMA-16 /  
AMA-18 / AMA-18IP  
AMA-24



AMA-32



AMA-GXF





# LOW PROFILE SATDOME PART # GUIDE

Find your satdome below to find the correct Low Profile mount part number. If you do not see your satdome below please give us a call.

## GLOMEX

20" - 27" satdomes **AMA-GXF**

## INTELLIAN

i2 **AMA-GXF**

i3 **AMA-16**

i4, i4P, i5 **AMA-18**

i6, i6P, S6HD, FB500 **AMA-24**

FB150, FB250 **AMA-14**

## KVH

M1, M1DX, TV1 **AMA-GXF**

M2, M3, M3DX, M3ST, V3, V3-IP, TV3 **AMA-16**

M5, TV5, FB250(18") **AMA-18**

M7, M7SK, HD7, TV6, V7, FB500 (26") **AMA-24**

TV7-IP **AMA-18IP**

TV8, HD11, FB500 (35") **AMA-32**

FB150 (10.8"), FB250 (11"), Fleet 33, Fleet One **AMA-14**

## RAYMARINE

33STV **AMA-GXF**

37STV **AMA-16**

45STV **AMA-18**

60STV **AMA-24**

## SEA TEL / COBHAM

ST14, FX150 (16.5") **AMA-18**

C18, FX250 (24") **AMA-18**

## THRANE & THRANE

FB150, FB250, Fleet 33, Fleet 33+ **AMA-14**

SAILOR FB500 (3052A/2B), Fleet 55+ **AMA-GXF**

## VDO

Ocean Line 132 (18") **AMA-GXF**

Ocean Line 337 (15") **AMA-VD1**

Ocean Line 345 (18") **AMA-VD2**

Ocean Line 360, 445, 460 (24") **AMA-VD2**



The **AMA-32** is made from marine grade aluminum and features a unique cable system.

“ Intellian is happy to work with Seaview to provide our customers with a professional, stylish and cost effective mounting solution for the complete range of Satellite TV and Communication products. ”

Paul Comyns  
VP Global Marketing  
Intellian



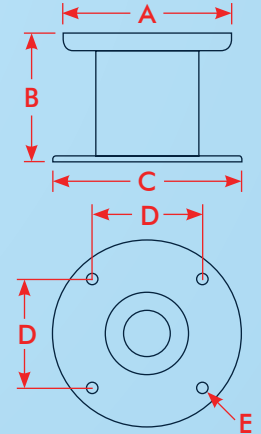
# CAMERA & SEARCH LIGHT MOUNTS

## VERTICAL MOUNTS

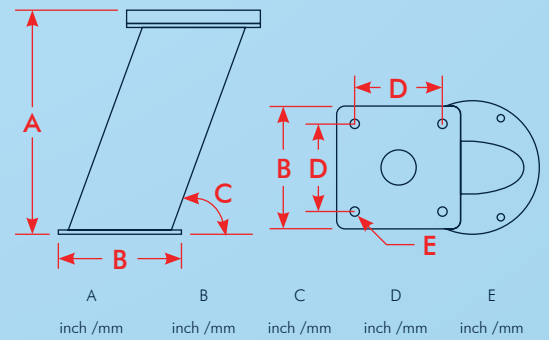


No visible bolts for extra security and improved aesthetics!

	CAMERA		SEARCH LIGHT
	PM5-FMT-8	PM5-FMD-8	PM5-SL-8
	inch/mm	inch/mm	inch/mm
A	7.12 / 182.56	6 / 152.4	7.6 / 193.04
B	5.5 / 140	5.5 / 140	5.5 / 140
C	8 / 203.2	8 / 203.2	8 / 203.2
D	4.77 / 121.15	4.77 / 121.15	4.77 / 121.15
E	0.5 / 12.7	0.5 / 12.7	0.5 / 12.7



## AFT LEANING MOUNTS

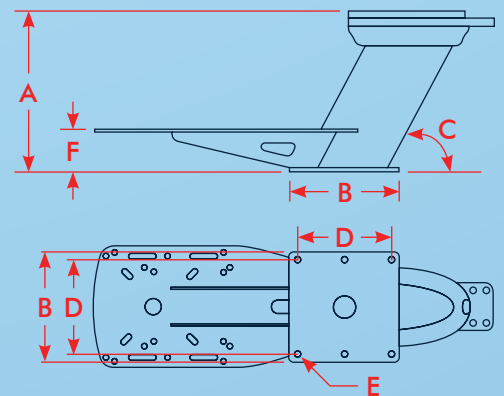


	CAMERAS				
	PMA-5FMT-7	PMA-12FMT-7	PMA-5FSL-7	PMA-12FSL-7	
	inch/mm	inch/mm	inch/mm	inch/mm	inch/mm
A	5.25 / 140	12.75 / 323.85	5.25 / 140	12.75 / 323.85	
B	7 / 178	7 / 178	7 / 178	7 / 178	
C	70°	70°	70°	70°	
D	5 / 127	5 / 127	5 / 127	5 / 127	
E	0.5 / 12.7	0.5 / 12.7	0.5 / 12.7	0.5 / 12.7	

## DUAL MOUNT

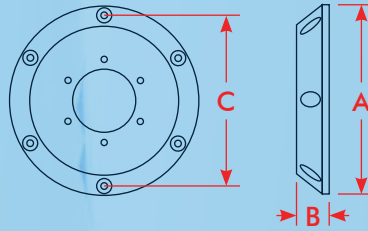


	A	B	C	D	E	F
	inch/mm	inch/mm	inch/mm	inch/mm	inch/mm	inch/mm
PMA-DM1-M2	14.5 / 368.3	10 / 254	62°	8.5 / 216	0.5 / 12.7	3.875" / 98.43



# TOP DOWN RISER

Designed in co-operation with FLIR/Raymarine engineers. Tested and approved by FLIR/Raymarine as recommended mounting for their night vision cameras.



	CAMERAS		
	FTDR2	FTDR3	FTDR4
	inch /mm	inch /mm	inch /mm
A	8.86 / 225	7.75 / 196.85	12.75 / 323.85
B	2 / 50.8	1.5 / 38	2.4 / 60.96
C	8 / 203	3.5 / 88.9	11.75 / 298.45

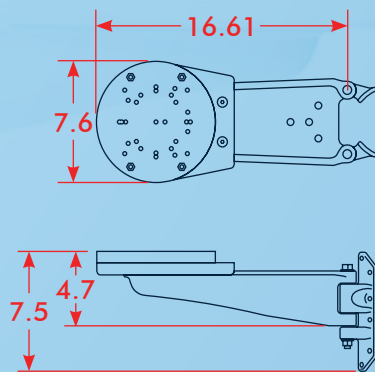


The **FTDR-2**, **FTDR-3** and **FTDR-4** mounts allow you to mount FLIR or Raymarine thermal cameras upside down or vertically.

# MAST MOUNT



**SM-14-F**

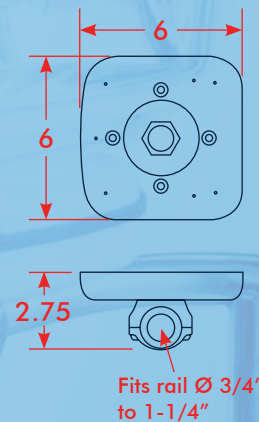


A **SM-14-F** mast mount for thermal cameras.

# RAIL MOUNT



**RM-GOL-1**



A **RM-GOL-1** rail mount for search lights. Fits rails  $\frac{3}{4}$ " to  $1\frac{1}{4}$ " in diameter.

# CAMERA & SEARCH LIGHT MOUNT PART # GUIDE

	CAMERA						SEARCH LIGHT			
	RAYMARINE	FLIR	NVTI	COMNAV	VEI	ACR	GOLIGHT	JABSCO		
	T200 T300 & T400	MD SERIES M-SERIES	M400	NV2020 / NV1018 / NV1020	EXPLORER V2 / V3	APOLLO II / II HD	RCL50 / RCL100 RCL75 RCL300	ALL MODELS	ALL MODELS	
<b>FTDR2</b>	•	•								
<b>FTDR3</b>	•	•								
<b>FTDR4</b>			•							
<b>PM5-FMT-8</b>	•	•			•					
<b>PM5-FMD-8</b>	•	•								
<b>PM5-SL-8</b>				•		•	•	•	•	•
<b>PMA-5FMT-7</b>	•	•	•	•		•				
<b>PMA-12FMT-7</b>	•	•	•	•		•				
<b>PMA-5FSL-7</b>				•		•	•	•	•	•
<b>PMA-12FSL-7</b>				•		•	•	•	•	•
<b>RM-GOL-1</b>									•	
<b>PMA-DM1-M2*</b>	•	•	•	•						
<b>SM-14-F</b>	•	•	•	•						

\* ADA-F1 top plate required

# DIRECT MOUNT WEDGES

OPTIMIZES RADAR BEAM



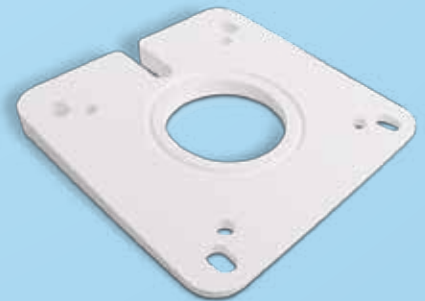
4° direct mount radar wedge



3-4° is most commonly need to compensate for planing attitude. This is why Seaview only offers the 4° direct mount wedge.

## DIMENSIONS

	RW4-1	RW4-2	RW4-3	RW4-4	RW4-5	RW4-6	RW4-7
A inch / mm	.31 / 7.87	.53 / 13.46	.25 / 6.35	.15 / 3.81	.25 / 6.35	.67 / 17.02	.29 / 7.37
B inch / mm	.95 / 24.13	1.40 / 35.56	.95 / 24.13	.95 / 24.13	.77 / 19.56	1.50 / 38.10	1 / 25.4



## DIRECT MOUNT ANGLED WEDGES PART # GUIDE

### FURUNO

15" - 18" radar domes	RW4-1
24" radar domes	RW4-6
4' - 6' open array radars	RW4-3

### GARMIN

GMR18(HD), GMR18x(HD), GMR24(HD), GMR24x(HD)	RW4-2
Fantom, 4' - 6' open array radars	RW4-3

### GEONAV

24" radar domes	RW4-6
3.5' - 4.5' open array radars	RW4-5

### JRC

15" radar domes	RW4-6
24" radar domes	RW4-5
4' - 6' open array radars	RW4-5

### LOWRANCE

3G, 4G radar domes	RW4-2
--------------------	-------

### LORENZ

12" - 24" radar domes	RW4-1
4' - 6' open array radar	RW4-5

### KODEN

18" (MDC 900 series) radar domes	RW4-1
25" (MDC 900 series) radar domes	RW4-2
4' - 6' open array radars	RW4-3

### RAYMARINE

18" - 24" radar domes	RW4-2
Quantum radar	RW4-2
4' - 6' open array radars	RW4-4

### SIMRAD

3G, 4G radar domes	RW4-2
DX64S radar domes	RW4-6
TX06S, TX10S open array radar	RW4-5
4' open array radar (RB7 Series)	RW4-3
4' Halo™ open array radar	RW4-7
TX06S open array radar	RW4-5

### SITEX

18" (T760/T921) radar domes	RW4-1
24" (T761) radar domes	RW4-6
25" radar domes	RW4-2
4' - 6' open array radars	RW4-3

### SEIWA

12" - 24" radar domes	RW4-1
4' - 6' open array radars	RW4-3

### TECH MARINE

12" - 24" radar domes	RW4-1
-----------------------	-------

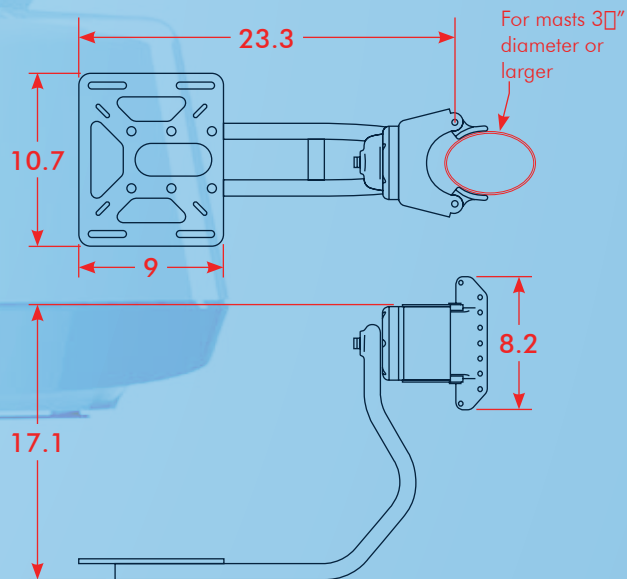


# MAST MOUNT

## SELF LEVELING



### DIMENSIONS



## SELF LEVELING MAST MOUNT PART # GUIDE

### FURUNO

18" Radomes **SLM-2S**

### KODEN

18" Radomes **SLM-2S**

### SEIWA

18" Radomes **SLM-2S**

### TECHMARINE

18" Radomes **SLM-2S**

### GEONAV

18" Radomes **SLM-2S**

### LORENZ

18" Radomes **SLM-2S**

### SIMRAD

18" Radomes **SLM-2S**

### GARMIN

18" Radomes **SLM-2S**

### RAYMARINE

18" / Quantum radomes **SLM-2S**

### SITEX

18" Radomes **SLM-2S**

*\*Please note the potential risk of this moving part on the mast. Any mounting device off the mast is at risk due to the various moving parts associated with the boat.*

# ADAPTER PLATE

## FOR SIMRAD® HALO™ OPEN ARRAY RADAR

This Simrad Halo™ adapter plate is a great solution when replacing an existing Simrad Broadband 3G™, Broadband 4G™, Raymarine or Garmin closed dome radar. Mounting holes pick up existing radar brands mentioned above and the new Simrad Halo™ open array.



Halo™ mounting hole pattern

Hole pattern for replacing an existing Simrad Broadband 3G™, Broadband 4G™ and other brands of radar.

**ADA-HALO2**  
adapter plate



Simrad Halo™ open array radar

# MAST PLATFORMS

FOR MOST RADARS & SATDOMES



## ADJUSTABILITY



The SM-18-R is designed with fore and aft adjustable rails so that you can have the radar as close as possible to the mast.

## STRENGTH



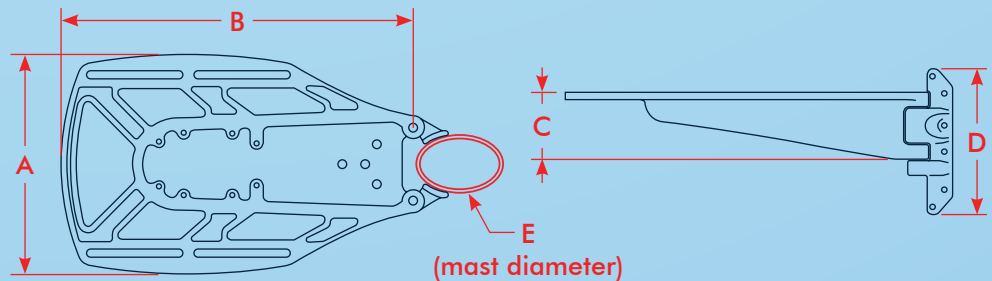
Solid underbody construction not only greatly improves strength but also hides radar cables.

Predrilled to receive accessories such as a flood light or horn.



Six stainless steel rivets with nylon washers to protect powder coat finish per foot are used to hold the heavy duty mounting feet to the mast.

## DIMENSIONS



	<b>SM-14-A</b>	<b>SM-15-A</b>	<b>SM-18-A</b>	<b>SM-18-U</b>	<b>SM-18-R</b>	<b>SM-24-A</b>	<b>SM-24-U</b>	<b>SM-24-R</b>
	inch /mm	inch /mm	inch /mm	inch /mm	inch /mm	inch /mm	inch /mm	inch /mm
A	8.23 / 209	12 / 304.8	18.5 / 469.9	12 / 304.80	11.28 / 286.5	18.50 / 470	11.75 / 298.45	11.75 / 298.45
B	15.9 / 403.1	16.25 / 412.75	22.75 / 577.85	15.65 / 397.51	18.01 / 457.5	25 / 635	20 / 508	20 / 508
C	4.11 / 104.4	6 / 152.4	6 / 152.4	3.44 / 87.4	3.44 / 87.4	6 / 152.4	6 / 152.4	6 / 152.4
D	7.44 / 189	6.50 / 165.1	6.50 / 165.1	7.44 / 189	7.44 / 189	6.50 / 165.1	6.50 / 165.1	6.50 / 165.1
E	≤2.63 / 66.68	≤2.63 / 66.68	≤3.63 / 92.08	≤2.63 / 66.68	≤2.63 / 66.68	≤3.63 / 92.08	≤3.63 / 92.08	≤3.63 / 92.08

# MAST PLATFORM PART # GUIDE

	Mast Mount Part #	Stainless Steel Guard Part #
<b>FLIR</b>		
MD-Series, M-Series	SM-14-F	NA
<b>FURUNO</b>		
15" - 18" radar domes	SM-18-U	SM-G18-U
24" radar domes	SM-24-U	SM-G24-U
<b>GARMIN</b>		
GMR18(HD), GMR18x(HD)	SM-18-R	SM-G18-U
GMR24(HD), GMR24x(HD)	SM-24-R	SM-G24-U
<b>GEONAV</b>		
24" radar domes	SM-24-U	SM-G24-U
<b>GLOMEX</b>		
20" - 27" satdomes	SM-24-A	SM-G24-U
<b>INTELLIAN</b>		
i2, i3	SM-15-A	SM-G18-U
FB150, FB250	SM-14-A	SM-G18-U
i4, i4P	SM-18-A	SM-G18-U
i5, i6, i6P, s6HD, FB500	SM-24-A	SM-G24-U
<b>JRC</b>		
JUE 250, JUE 33 (14")	SM-14-A	SM-G18-U
JUE 500 (24")	SM-24-A	SM-G24-U
JMA-5104, NKE-2042 (24")	SM-24-U	SM-G24-U
<b>KODEN</b>		
18" (MDC 900 series) radar domes	SM-18-U	SM-G18-U
25" (MDC 900 series) radar domes	SM-24-U	SM-G24-U

<b>KVH</b>		
FB150 (10.8"), FB250 (14"), Fleet 33, Fleet One	SM-14-A	SM-G18-U
M1DX, M1, TV1, M2, M3, M3DX, M3ST, V3, V3-IP, TV3	SM-15-A	SM-G18-U
M5, TV5, FB250 (18")	SM-18-A	SM-G18-U
M7, M7SK, HD7, V7, TV6, FB500 (26"), V3-IP (24"), TV7-IP	SM-24-A	SM-G24-U
<b>LORENZ</b>		
12" - 24" radar domes	SM-18-U	SM-G18-U
<b>LOWRANCE</b>		
BROADBAND BR24, 3G, 4G (18")	SM-18-R	SM-G18-U
LRA 1800HD, 1500 (18")	SM-18-U	SM-G18-U
LRA 2000, LRA24HD (24")	SM-24-U	SM-G24-U
<b>RAYMARINE</b>		
18" radar domes	SM-18-R	SM-G18-U
Quantum radar	SM-18-R	SM-G24-U
33STV, 37STV	SM-15-A	SM-G18-U
45STV	SM-18-A	SM-G18-U
60STV	SM-24-A	SM-G24-U
T200, T300, T400	SM-14-F	NA
24" radar domes	SM-24-R	SM-G24-U

<b>SEA TEL / COBHAM</b>		
ST14, FX150 (16.5")	SM-18-A	SM-G18-U
C18, FX250 (24")	SM-24-A	SM-G24-U
<b>SEIWA / TECHMARINE</b>		
12" - 24"	SM-18-U	SM-G18-U
<b>SIMRAD</b>		
3G, 4G radar domes	SM-18-R	SM-G18-U
DX64S	SM-24-U	SM-G24-U
<b>SITEX</b>		
18" (T760/T921) radar domes	SM-18-U	SM-G18-U
24" (T761) radar domes	SM-24-U	SM-G24-U
25" radar domes	SM-24-A	SM-G24-U
<b>THRANE &amp; THRANE</b>		
FB150, FB250, Fleet 33, Fleet 33+	SM-14-A	SM-G18-U
Sailor FB500, Fleet 55+	SM-24-A	SM-G24-U
<b>VDO</b>		
Ocean Line 132 (18")	SM-18-U	SM-G18-U
Ocean Line 337 (15")	SM-18-A	SM-G18-U
Ocean Line 345 (18")	SM-24-A	SM-G24-U
Ocean Line 360, 445, 460 (24")	SM-24-A	SM-G24-U

## MAST PLATFORM ACCESSORIES



Stainless steel guard for most closed dome radars. Part numbers **SM-G18-U** and **SM-G24-U**. (Refer to guide above)



**SM-AD-ISO** Isomat adapter for boats with Isomat masts (Integral Track at the Front).



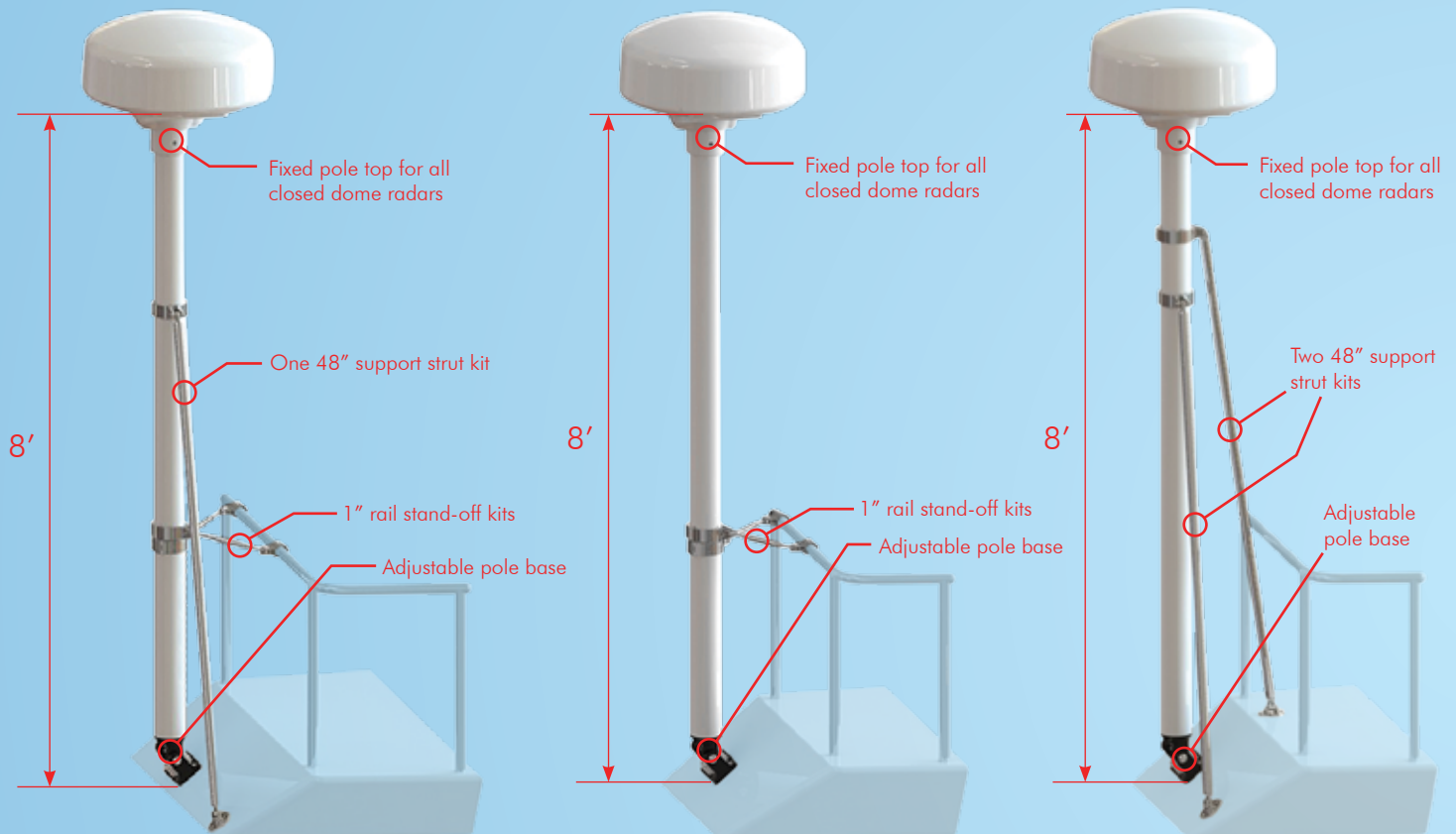
**SM-AD-FB** Flybridge adapter kit for smaller mast mounts. Fits the following Seaview mast mounts: SM-18-R, SM-18-U, SM-14-F. Will allow for 35° of adjustment.



# RADAR MAST POLE KITS

## RADAR MASTS FOR SAILBOATS AND TRAWLERS

Seaview offers a pole mount for just about any application. The two most common pole kits are the 8' or 10' tall pole kits. Additional sizes are available, please call to special order. The adjustable base has a small 5 1/4" x 3" footprint, and water tight Seaview Cable Gland, which can be easily disassembled for pole removal.



### RM8148 8' Tall Kit

- Fixed pole top
- One 48" strut
- One 1" rail stand off kit
- Adjustable base

### RM8KT1 8' Tall Kit

- Fixed pole top
- One 1" rail stand off kit
- Adjustable base

### RM848S 8' Tall Kit

- Fixed pole top
- Two 48" strut kits
- Adjustable base



The rail stand-off kit includes two turnbuckle style struts that are adjustable from 6" to 12", two stainless steel 3" pole clamps and two stainless steel 1" rail clamps. 1-1/4" clamps available per special request.



High polished stainless steel strut supports.

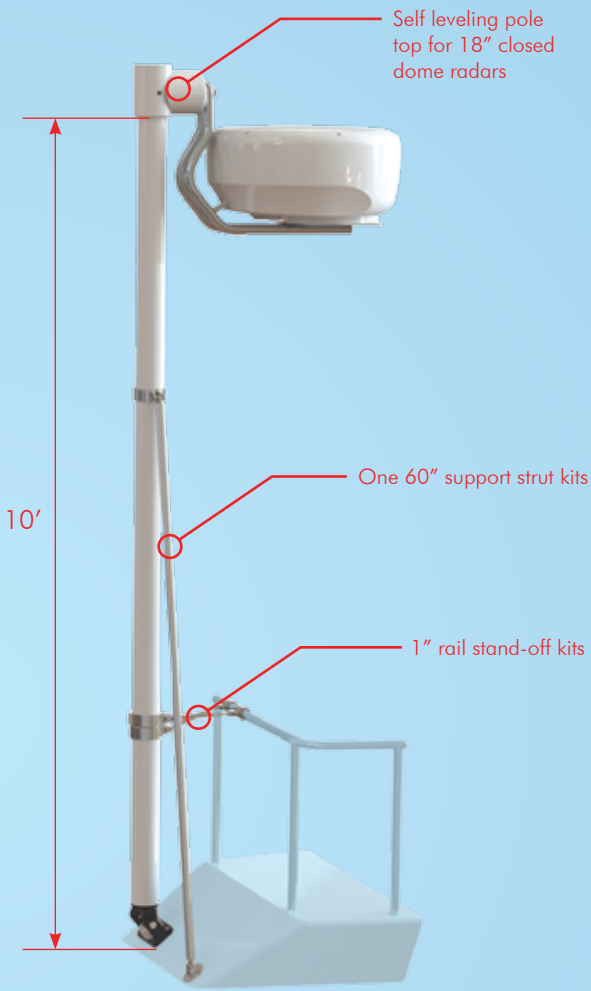


Self leveling pole top with adjustable stainless steel bracket. This is for 18" radars and Raymarine Quantum radar only.



A hard anodized adjustable base with a water tight Seaview Cable Gland.

NOTE: Top plate included with each pole kit to fit most closed dome radars



**SLP210160 10' Tall Kit**

- Self leveling pole top
- One 60" strut kits
- One 1" rail stand off kit
- Adjustable base

**8' TALL POLE KIT (For 3" Diameter Mast)**

- Fixed Top, Adjustable Base, Pole & 48" Strut Kit and One Rail Stand-Off Kit **RM8148**
- Fixed Top, Adjustable Base, Pole & One Rail Stand-Off Kit **RM8KT1**
- Fixed Top, Adjustable Base, Pole & Two 48" Strut Kits **RM848S**

**10' TALL POLE KIT (For 3" Diameter Mast)**

- \*Self-Leveling Top, Adjustable Base, Pole & 60" Strut Kit & One Rail Stand-Off Kit **SLP210160**

*\* Only fits 18" radomes and Raymarine Quantum radar. Please note the potential risk of this moving part on the mast. Any mounting device off the mast is at risk due to the various moving parts associated with the boat.*



# POWER PODS

## FOR MOST INSTRUMENTS AND DISPLAYS



GORE™ protective vent relieves pressure buildup while preventing water from entering.



Two high polished stainless steel clamps provide full adjustability.



The Seaview Power Pod is available with two base colors, black or white.  
\*Black bases available upon request



“ Here is your pod 5 installed on the bridge of a Lagoon 500. This is an excellent product and your service was outstanding. ”

Thanks!  
Doug Sutherland  
Ft. Lauderdale, FL





# POD BOX PART # GUIDE

Please note that these Power Pods come uncut. Seaview can cut the Power Pod to fit your electronics (refer to price list for cut charge). When ordering use part number **POD-CUT** and a description of the electronics.

\*Allow for 3-5 days when ordering a pre-cut Power Pod\*

Refer to the uncut pod box size next to your electronics.

Pod Box Size #	Usable Face Dimension	Seaview Part Number
		Item # (White Base)
1	9.5" x 8.5"	<b>PODW-1-UC</b>
2	12.5" x 9.25"	<b>PODW-2-UC</b>
3	14.25" x 9.5"	<b>PODW-3-UC</b>
4	16.25" x 11.5"	<b>PODW-4-UC</b>
5	17.25" x 14.75"	<b>PODW-5-UC</b>

## B&G

	Pod Box Size #
Vulcan 5, Vulcan 7, Zeus 2 W7, Z7, Touch 7, H5000	1
Zues 2 9 (W9), Z8, Touch 8	2
T12, Zeus2 12 (Z12), Touch 12, Zues2 Glass Helm ZM 16	4

## FURUNO

GP39, 1623, 1715	1
GP1670, GP1670F, GP1870, GP1870F, GP7800, GP170, GP170D, GS100, MFD8	2
TZTL12F, MFD12, MU170T	4
TZTL15F, MU150HD	5

## GARMIN

echoMAP 50 series, Striker 5, Striker 7, 527, 547, 620, 640, 720, 721, 740, 741, 70s, 7407xsv, 7607xsv	1
echoMAP 70 series, echoMAP 90 series, 820, 840, 4008, 4208, 5008, 5208, 6008, 6208, 8008, 8208, 7408xsv, 7608xsv, 7410xsv, 7610xsv	2
1020, 1040, 4010, 4210, 7412xsv, 7612xsv	3
4012, 4212, 5012, 5212, 8012, 8212	4
5015, 5215, 7015, 7215, 7416xsv, 7616xsv, 8015, 8215, 8617	5

## HUMMINBIRD

Helix 5, 500 Series, 700 Series	1
Helix 7, 800 Series, 900 Series, ONIX 8, ONIX 10	2
Helix 9, Helix 10, ION 10, 1100 Series	3
Helix 12, ION 12	4

## LOWRANCE

HDS-5, HDS-5M, HDS-5X, HDS-7, HDS-7 Gen3, HDS-7M, Elite 7	1
HDS-8, HDS-8M, HDS-9, HDS-9 Gen3, Hook 7, Hook 7x, Hook 9, Hook 9x, Elite 9, Elite 9x	2
HDS-10, HDS-10M, HDS-12 Gen2, HDS-12 Gen3	3

## RAYMARINE

	Pod Box Size #
a65, a67, a68, a75, a77, a78, e7, e7D	1
eS97, eS98, a95, a97, a98, gS95, eS75, eS77, eS78, c95, c97, e95, e97	2
c125, c127, e125, e127, a125, a127, a128, gS125	3
eS127, eS128	4
e165, gS165	5

## SIMRAD

NSS7, NSS7 evo2, GO5 XSE, GO7 XSE	1
NSS8, NSE8, NSS9 evo2	2
NSS12 Evo 2	3
NSS12, NSE12, MO16-T, MO16-P	4

## SITEX

SVS-560CF, EC5E, EC5I, EC5FE, EC5FI, SNS 700	1
EC7E, EC7I, EC7FE, EC7FI	2
EC11, SNS 1100	4

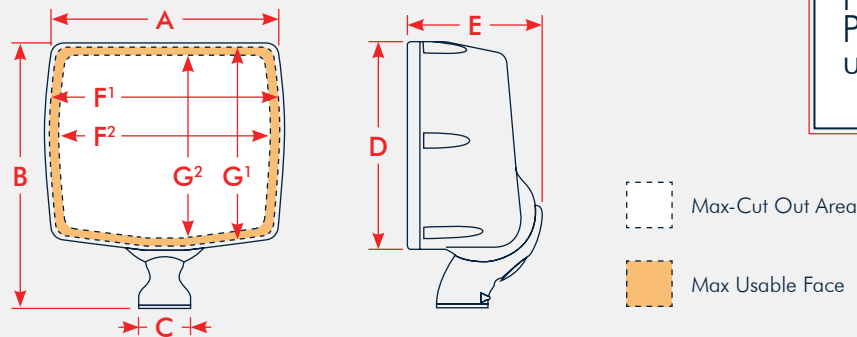
## STANDARD HORIZON

CP150, CP150C, CP155C, CP170C, CP175C, CPN700i, CP190i, CP390i, CPF190i	1
CPF180i, CPF300i, CPN1010i	2
CP1000C, CP590	3

## ICOM

MA-500TR	1
MXD5000	4

## DIMENSIONS



NOTE: Electronics change often. Please refer to website for most up to date reference guide.

	A	B	C	D	E	F <sup>1</sup>	F <sup>2</sup>	G <sup>1</sup>	G <sup>2</sup>
	inch / mm	inch / mm	inch / mm	inch / mm	inch / mm	inch / mm	inch / mm	inch / mm	inch / mm
<b>PODW-1-UC</b>	10 / 254	14 / 355.6	4 / 101.6	10 / 254	8.2 / 208.3	9.5 / 241.29	9 / 228.6	8.5 / 215.89	8.5 / 215.89
<b>PODW-2-UC</b>	13 / 330	14.5 / 368.3	4 / 101.6	9.5 / 241.3	8.2 / 208.3	12.5 / 317.5	12.125 / 307.97	9.25 / 234.95	9 / 228.6
<b>PODW-3-UC</b>	15 / 381	15 / 381	4 / 101.6	10 / 254	8.2 / 208.3	14.25 / 361.95	13.875 / 352.42	9.5 / 241.29	9.5 / 241.29
<b>PODW-4-UC</b>	17 / 431.8	17 / 431.8	4 / 101.6	11.5 / 292.1	8.2 / 208.3	16.25 / 412.75	15.875 / 403.22	11.5 / 292.09	11.5 / 292.09
<b>PODW-5-UC</b>	18.5 / 470	20.5 / 520.7	4 / 101.6	15 / 381	9.6 / 243.8	17.25 / 438.15	17.5 / 444.5	14.75 / 374.65	14.5 / 368.29

# SAIL PODS

FOR MOST INSTRUMENTS AND DISPLAYS

## SPOD



UV resistant  
ABS plastic

GORE™  
protective vent

Water tight gasket



The **SP1BOX** is an add-on accessory that allows you to mount additional instruments to your SPOD. This optional add-on will fit single instruments 4.125" x 4.125" or smaller. Depending on the pod box size you can fit up to 4 of these onto a single SPOD.

## PRECISE VIEWING

The Seaview **SPOD** fits the majority of steering gear in the market place including Jefa, Whitlock and Edson.

- Clamps onto 1", 1 1/4" or 1 1/4" rails
- Fits standard 12", 9 1/2" & non standard guard rails
- UV resistant ABS plastic
- Water tight gasket
- Tamper resistant security screws



Two high polished stainless steel clamps are used to secure your SPOD to a 1", 1 1/4" or 1 1/4" (25mm to 32mm) rails.

The SPOD fits standard 12", 9 1/2" and non standard guard rails.



Carbon fiber look available upon special request. Contact Seaview for more information.

## ACHIEVE THE PERFECT VIEW

The SPOD has a wide mounting angle, allowing for precise viewing. Angle is set during installation.



# DECK PODS

FOR MOST INSTRUMENTS AND DISPLAYS

## DPOD



## QUICK ON THE FLY ADJUSTMENTS

When you are just about to catch a huge one the last thing you want to worry about is adjusting your fish finder. With the quick adjustment knob on the **DPOD** simply pull the knob out and rotate.

- Rotates up to 350°
- Anodized aluminum base
- UV protected ABS plastic housing
- Water tight gasket
- Tamper resistant security screws



Simply pull the secure bolt out and rotate the DPOD up to 350°.

Use the reference guide on page 33 to find the correct SPOD and DPOD for you.



Tamper proof screws are used to secure the UV protected ABS plastic housing of the SPOD, DPOD and Rail Pods.



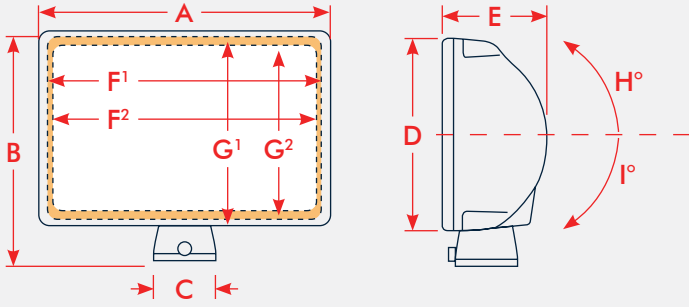
The **SP1BOX** is an add-on accessory that allows you to mount additional instruments to your DPOD. This optional add-on will fit single instruments 4.125" x 4.125" or smaller. Depending on the pod box size you can fit up to 4 of these onto a single DPOD.

The image to the left is of a SP2P with two SP1BOX.



# SAIL, DECK & RAIL POD

## PART NUMBER GUIDE



**Note: All pods are uncut. Seaview can pre-cut upon request.**

Max-Cut Out Area  
Max Usable Face

**NOTE:** Electronics change often. Please refer to website for most up to date reference guide.

	A	B	C	D	E	F <sup>1</sup>	G <sup>1</sup>	F <sup>2</sup>	G <sup>2</sup>	H	I	
	inch / mm	inch / mm	inch / mm	inch / mm	inch / mm	inch / mm	inch / mm	inch / mm	inch / mm			
<b>SPOD / RAIL POD</b>	<b>Overall Dimensions</b>											
	<b>SP1S</b>	5.04 / 127.97	NA	NA	5.16 / 131.14	3.125 / 79.38	4.63 / 117.47	4.63 / 117.47	4.125 / 104.77	4.125 / 104.77	NA	NA
	<b>SP2S / SP2S1</b>	12.30 / 312.55	NA	NA	7.56 / 191.89	5.08 / 129.03	11.75 / 298.45	7 / 177.80	11 / 279.40	6.125 / 155.57	26°	12°
	<b>SP3S / SP3S1</b>	14.25 / 361.95	NA	NA	9.5 / 241.30	5.15 / 130.73	13.75 / 349.25	9 / 228.60	12.94 / 328.63	8.125 / 206.37	32°	30°
	<b>SP4S</b>	17.5 / 444.50	NA	NA	12.75 / 323.85	5.7 / 144.78	16.94 / 430.23	12.25 / 311.15	16 / 406.40	11.25 / 285.75	10°	7°
<b>DPOD</b>	<b>Max Cut Out Area</b>											
	<b>SP5S / SP5S1</b>	15.25 / 387.35	NA	NA	5.5 / 139.70	3.19 / 80.90	14.75 / 374.65	5 / 127	13.88 / 352.42	4.125 / 104.77	6°	6°
	<b>SP2P</b>	12.30 / 312.55	9.37 / 238	4 / 101.6	7.56 / 191.89	5.08 / 129.03	11.75 / 298.45	7 / 177.80	11 / 279.40	6.125 / 155.57	NA	NA
	<b>SP3P</b>	14.25 / 361.95	11.31 / 287.27	4 / 101.6	9.5 / 241.30	5.15 / 130.73	13.75 / 349.25	9 / 228.60	12.94 / 328.63	8.125 / 206.37	NA	NA
	<b>SP5P</b>	15.25 / 387.35	7.31 / 185.67	4 / 101.6	5.5 / 139.70	3.19 / 80.90	14.75 / 374.65	5 / 127	13.88 / 352.42	4.125 / 104.77	NA	NA
<b>Accessory</b>												
<b>SP1BOX</b>	5.04 / 127.97	NA	NA	5.16 / 131.14	3.125 / 79.38	4.63 / 117.47	4.63 / 117.47	4.125 / 104.77	4.125 / 104.77	NA	NA	

PART NUMBER GUIDE	SPOD	DPOD	RAIL POD
<b>B&amp;G</b>			
Vulcan 5, Vulcan 7, Zeus2 W7, Z7, Touch 7, Zeus2 9 (W9), H5000,	<b>SP2S</b>	<b>SP2P</b>	<b>SP2S1</b>
Z8, Touch 8	<b>SP3S</b>	<b>SP3P</b>	<b>SP3S1</b>
T12, Zeus2 (Z12), Touch 12, Zeus2 Glass Helm ZM 16	<b>SP4S</b>	—	—
<b>FURUNO</b>			
GP39, GP1670, GP1670F, GP1870, GP1870F, GP7800	<b>SP2S</b>	<b>SP2P</b>	<b>SP2S1</b>
GP170, GP170D, GS100, 1623, 1715	<b>SP3S</b>	<b>SP3P</b>	<b>SP3S1</b>
TZTL12F, MFD12	<b>SP4S</b>	—	—
<b>GARMIN</b>			
echoMAP 50 series, echoMAP 70 series, echoMAP 90 series, Striker 5, Stricker 7, 527, 547, 620, 640, 720, 721, 740, 741, 70s, 7407xsv, 7607xsv, 7408xsv, 7608xsv	<b>SP2S</b>	<b>SP2P</b>	<b>SP2S1</b>
820, 840, 4008, 4208, 5008, 5208, 7410xsv, 7610xsv, 7412xsv, 7612xsv	<b>SP3S</b>	<b>SP3P</b>	<b>SP3S1</b>
1020, 1040, 4010, 4210, 4012, 4212, 5012, 5212, 8012, 8212, 7416xsv, 7616xsv, 8012, 8215	<b>SP4S</b>	—	—
<b>HUMMINBIRD</b>			
Helix 5, 500 Series, 700 Series, Helix 7, 800 Series, 900 Series	<b>SP2S</b>	<b>SP2P</b>	<b>SP2S1</b>
Helix 9, Helix 10, ONIX 8, ONIX 10	<b>SP3S</b>	<b>SP3P</b>	<b>SP3S1</b>
ION 10, ION 12, 1100 Series, Helix 12	<b>SP4S</b>	—	—
<b>LOWRANCE</b>			
HDS-5, HDS-5M, HDS-5X, HDS-7, HDS-7 Gen 3, HDS-7M, Elite 7, HDS-9, HDS-9 Gen3, Hook 7, Hook 7x, Hook 9, Hook 9x, Elite 9, Elite 9x	<b>SP2S</b>	<b>SP2P</b>	<b>SP2S1</b>
HDS-8, HDS-8M, HDS-10, HDS-10M, HDS-12 Gen2, HDS-12 Gen3	<b>SP3S</b>	<b>SP3P</b>	<b>SP3S1</b>

PART NUMBER GUIDE	SPOD	DPOD	RAIL POD
<b>RAYMARINE</b>			
a65, a67, a68, a75, a77, a78, e7, e7D, eS75, eS77, eS78, c95, c97, e95, e97	<b>SP2S</b>	<b>SP2P</b>	<b>SP2S1</b>
eS97, eS98, a95, a97, a98, gS95	<b>SP3S</b>	<b>SP3P</b>	<b>SP3S1</b>
c125, c127, e125, e127	<b>SP3SR12</b>	<b>SP3PR12</b>	<b>CALL</b>
a125, a127, a128, eS127, eS128, gS125, e165, gS165	<b>SP4S</b>	—	—
<b>SIMRAD</b>			
NSS7, NSS7 evo2, GO5 XSE, GO7 XSE, NSS9 evo2	<b>SP2S</b>	<b>SP2P</b>	<b>SP2S1</b>
NSS8, NSE8	<b>SP3S</b>	<b>SP3P</b>	<b>SP3S1</b>
NSS12, NSS12 evo2, NSE12, MO16-T, MO16-P	<b>SP4S</b>	—	—
<b>SITEX</b>			
SVS-560CF, EC5E, EC5I, EC5FE, EC5FI, SNS 700	<b>SP2S</b>	<b>SP2P</b>	<b>SP2S1</b>
EC7E, EC7I, EC7FE, EC7FI	<b>SP3S</b>	<b>SP3P</b>	<b>SP3S1</b>
EC11, SNS 1100	<b>SP4S</b>	—	—
<b>STANDARD HORIZON</b>			
CP150, CP150C, CP155C, CP170C, CP175C, CPN700i, CP190i, CP390i, CPF190i, CPF180i, CPF300i	<b>SP2S</b>	<b>SP2P</b>	<b>SP2S1</b>
CPN1010i, CP1000C	<b>SP3S</b>	<b>SP3P</b>	<b>SP3S1</b>
CP590	<b>SP4S</b>	—	—
<b>ICOM</b>			
MA-500TR	<b>SP2S</b>	<b>SP2P</b>	<b>SP2S1</b>
MXD5000	<b>SP4S</b>	—	—

# RAIL POD

## FOR MOST INSTRUMENTS AND DISPLAYS

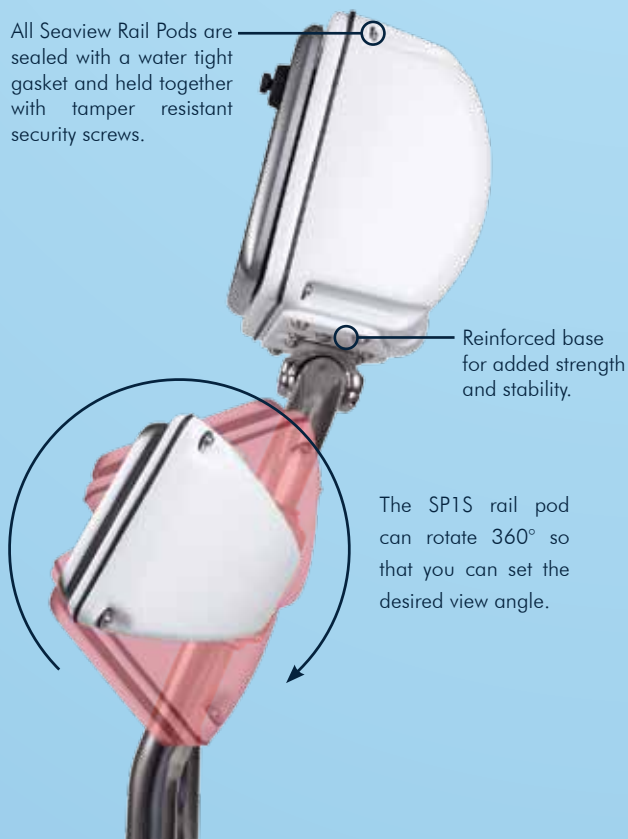
### OPTIMIZE YOUR VIEW

Seaview offers a solution to the age old problem of figuring out where to mount all your instruments on your sailboat. The Rail Pod allows you to mount smaller displays and instruments directly to the rail. Allowing you to position the instrument where it is most optimal for you.

- Fits 1", 1 1/8" or 1 1/4" rails
- Cables routed internally through the clamp and into the rail
- UV protected ABS plastic housing
- Water tight gasket
- Tamper resistant security screws



All Seaview Rail Pods are sealed with a water tight gasket and held together with tamper resistant security screws.



### FAQ's

#### 1. Will Seaview Rail Pod fit my electronic device?

Yes, several pod box sizes to fit your electronic device. Plus with the accessory pod option you are able to mount small screens just about anywhere.

#### 2. Is it easy to install your instrument pods?

Seaview instrument pods are very easy to install and only requires basic tools and a drill.

#### 3. Are these durable?

Yes! Our pods are made from UV resistant ABS plastic. The clamps are made from 316 stainless steel. So you can be sure our pods can withstand the harshest of conditions.

#### 4. Will the instrument pod protect my electronic instrument?

Yes, our instrument pods use a rubber gasket to keep water out. A GORE™ vent also lets hot air out without letting water in. Tamper resistant screws are also used to hold everything together.

#### 5. Are these instrument pods uncut or pre-cut?

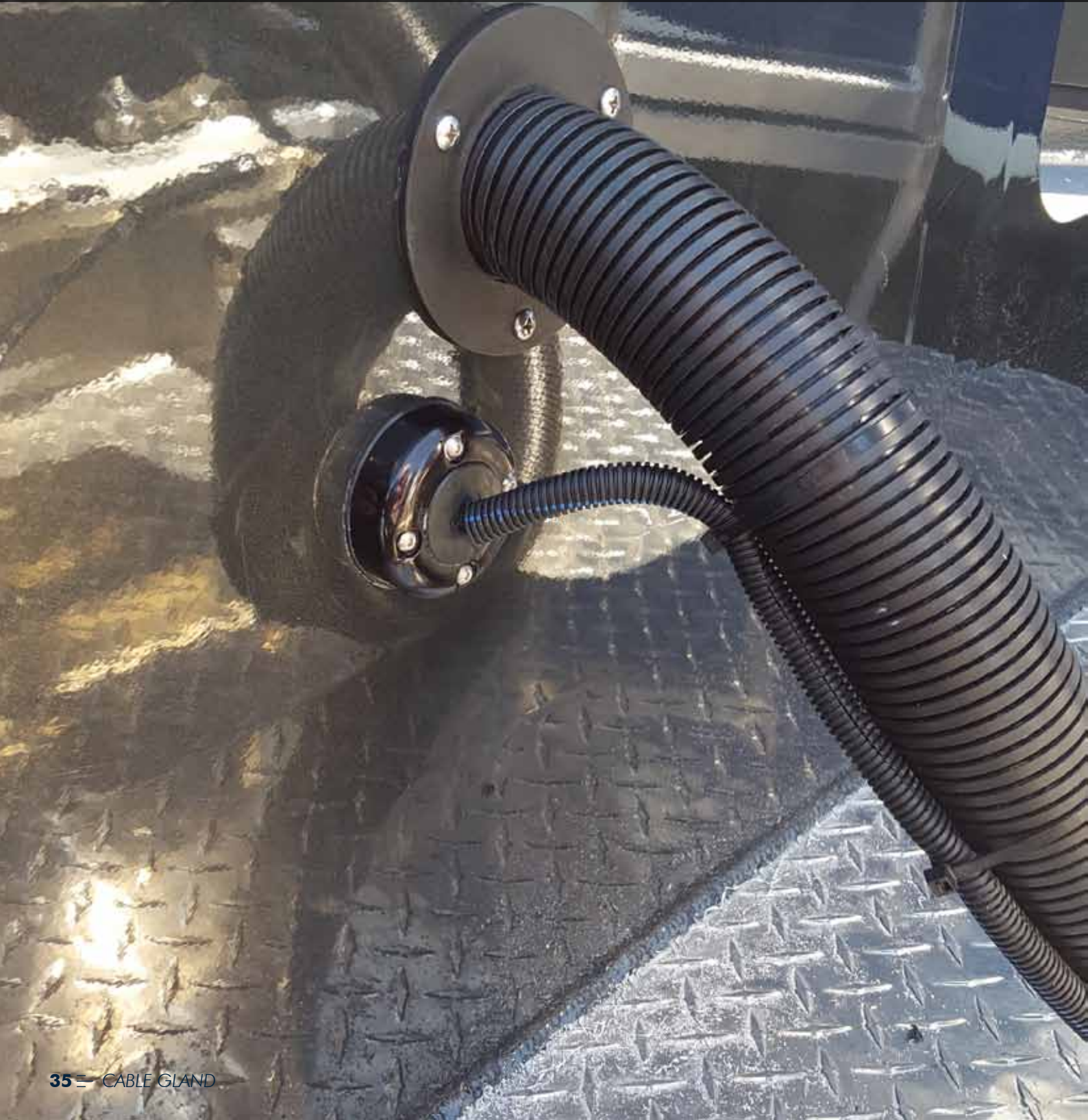
For ease of stocking purposes Seaview instrument pods are uncut. We do offer a pre-cut service however.



“ The Seaview cable gland model CG30AB that we used is ideal, easy to install and matched the other Yamaha and Uflex through holes. This is a new product that improves on other designs, looks good and works well. ”

Rob Bright  
*Pacific Yacht Management*

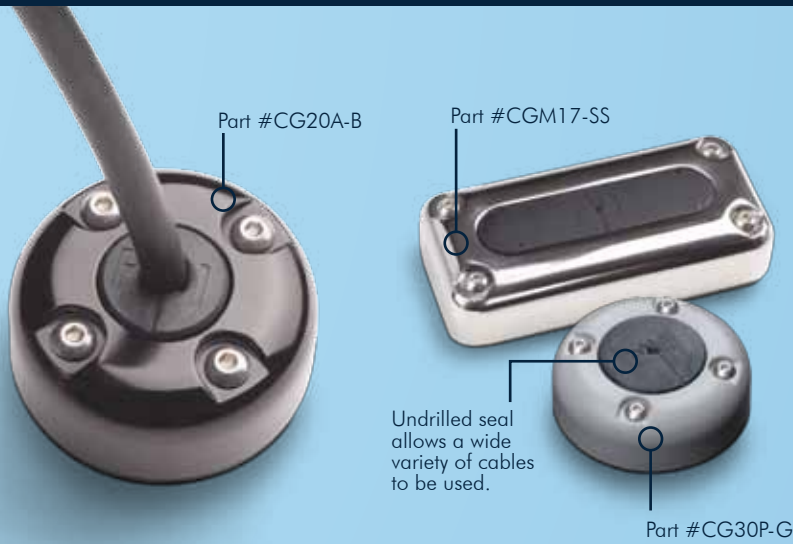
*Image courtesy of Pacific Yacht Management.  
(CG30A-B Cable Gland shown)*





# CABLE GLAND

## FOR MARINE ELECTRONIC CABLES



### WATERTIGHT INSTALLATION FOR YOUR MARINE ELECTRONIC CABLES.

The Cable Glands provide waterproof cable routing and are made of:

- UV stable glass filled (GF) ABS plastic
- 316 stainless steel
- Black anodized aluminum

Each style has options for 17mm to 31mm (0.67" to 1.25") connectors, making it ideal for almost every installation.

### EASY INSTALLATION

Each cable gland is supplied with a rubber seal that has a molded location to drill and cut. Captive nuts make for easy assembly. Cable connectors do not need to be removed during installation.

### WATERTIGHT INSTALLATION

Tapered rubber seal forms watertight installation. Base gasket also provided for clean, watertight installation. Waterproof rating of IPX6 and IPX7.

### IMPROVED SHAPE & DESIGN

Low profile design for a strong, impact-resistant and clean installation (no sharp edges to hit your foot on). Unlike other brands, our inner rubber seal is flush with the top of the cable gland so that water does not have a place to collect.

### STANDARD FINISHES



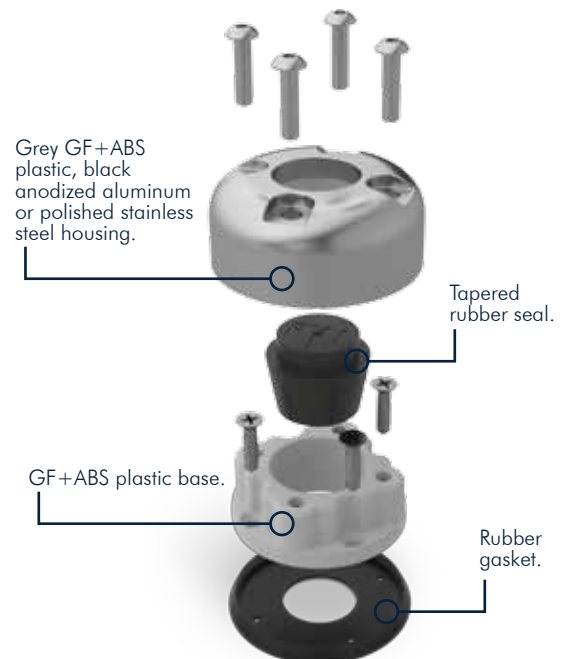
### CUSTOM FINISHES

Many other finishes available upon special request. (A few examples shown below)



## CABLE GLAND PART NUMBER GUIDE

# OF CABLES	COLOR / MATERIAL	CONNECTOR SIZE	CABLE SIZE		
			0.08" - 0.39" (2 - 10mm)	0.08" - 0.59" (2 - 15mm)	0.08" - 0.67" (2 - 17mm)
	Grey ABS Plastic	Up to 0.81" (20mm)	<b>CG20P-G</b>	NA	NA
	Black Anodized Aluminum	Up to 0.81" (20mm)	<b>CG20A-B</b>	NA	NA
	Polished Stainless Steel	Up to 0.81" (20mm)	<b>CG20-SS</b>	NA	NA
			0.08" - 0.59" (2 - 15mm)	0.08" - 0.67" (2 - 17mm)	
	Grey ABS Plastic	Up to 1.25" (31mm)	—	<b>CG30P-G</b>	NA
	Black Anodized Aluminum	Up to 1.25" (31mm)	—	<b>CG30A-B</b>	NA
Polished Stainless Steel	Up to 1.25" (31mm)	—	<b>CG30-SS</b>	NA	
				0.08" - 0.67" (2 - 17mm)	
	Grey ABS Plastic	Up to 0.67" (17mm)	—	—	<b>CGM17P-G</b>
	Black Anodized Aluminum	Up to 0.67" (17mm)	—	—	<b>CGM17A-B</b>
Polished Stainless Steel	Up to 0.67" (17mm)	—	—	<b>CGM17-SS</b>	





“ As a semi-custom yacht builder, Kadey-Krogen Yachts requires vendors to provide superior quality products, custom built to order and within the needed timeframe to keep our production moving. PYI does all that, while also providing excellent engineering support and customer service support before and after the product is complete. ”

Tom Button  
VP Operations  
Kadey-Krogen Yachts, Inc.

Image courtesy of Kadey Krogen.  
(Seaview builds arch and masts for Kadey Krogen)



Image courtesy of Protector USA Inc.

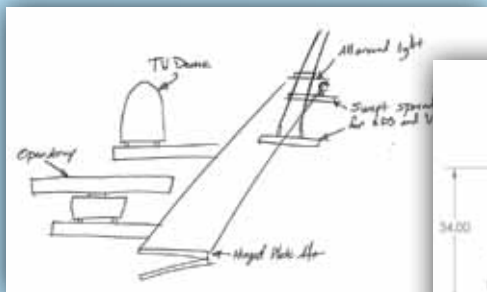
“ Seaview by PYI provides our customers with a simple and elegant solution for our boats. Seaview has also provided us with very punctual service when it comes to custom modifications to their mounting solutions. ”

Andrew Carleton  
Protector USA Inc.



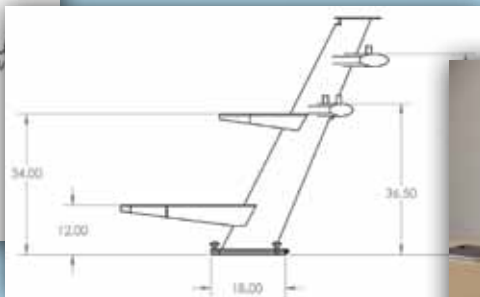
# PERSONALIZED OPTIONS

## COMPLETE PERSONALIZED DESIGN & PRODUCTION



### FIRST SKETCH

A quick sketch over the phone going over what you want to look like.



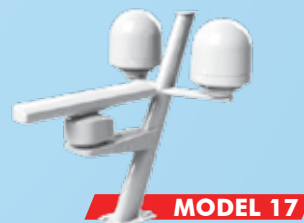
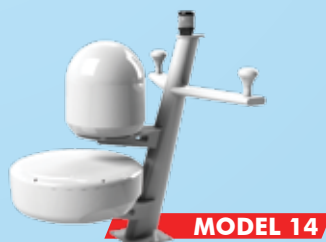
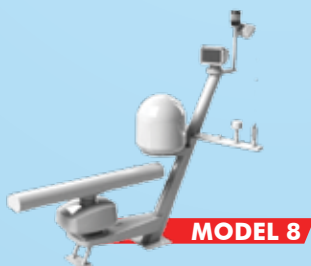
### DESIGN

Dimensional CAD drawing along with a 3D view as seen in examples below are provided to the customer for review.



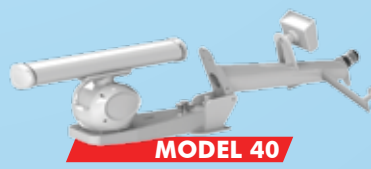
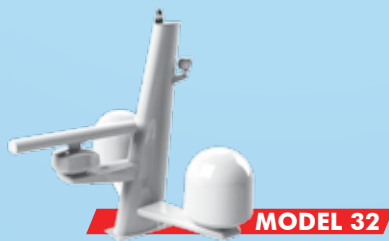
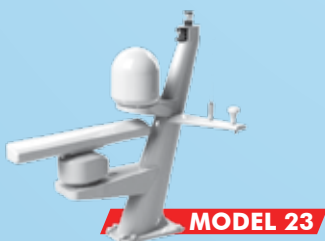
### FINISHED MOUNT

Allow for 4 weeks to complete personalized mount.



Here are some examples of personalized mounts that we have done in the past. For more examples visit our website at:

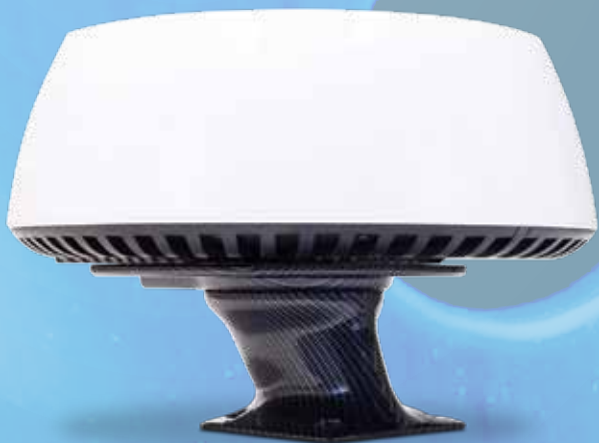
[www.seaviewglobal.com](http://www.seaviewglobal.com)



A Seaview custom arch for a Beneteau 58

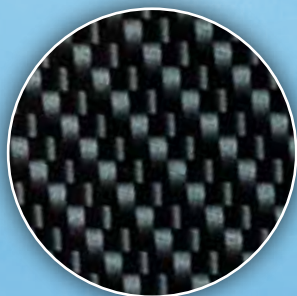
# CUSTOM FINISHES

JUST ABOUT ANY CUSTOM FINISH YOU CAN IMAGINE!



## EXAMPLE FINISHES

(Many more options available)



**Carbon Fiber  
Finish**



**Wood  
Finish**



**Camouflage  
Finish**

Do you have a custom look on your boat and want your Seaview mount to match? Seaview can put on just about any custom finish you can think of, from carbon fiber to wood grain. Contact Seaview for more information.



“With new electronics coming out all the time and installations getting even more complex we are always looking for innovative ways to mount everything. For our clients there is nothing worse than simple “bolt ons”. Seaview offers a wide variety of options that are customizable and adaptable to meet the needs of virtually every installation with the added bonus of quality and style that are second to none. That is what our customers demand and why Seaview is our solution.”

Todd Albrecht  
Vice President  
Jupiter Marine

Image courtesy of Jupiter Marine.  
(Seaview PMA-DM2-M2 and LTB-S)



# TESTIMONIALS

HERE'S WHAT THEY HAVE TO SAY ABOUT



## Raymarine® BY FLIR

"Seaview has been a tremendous help to Raymarine USA on all of our demonstration boat projects. These high-performance boats make appearances at boat shows, industry events, fishing tournaments, on TV, and at lots of other high-impact events. Both consumers and members of the boating press and media come onboard to see the latest Raymarine technologies in action.

We rig them to be "dream boats" with every conceivable option and technology. Seaview's flexible line of electronics mounting solutions makes it easy to fit our full system including radar, satellite TV and thermal night vision. Their customizable masts and mounts are rugged, reliable and they look fantastic too. They blend seamlessly with the design of today's modern sport-fishing boats and look totally built-in, not bolt-on. That's really appreciated by the boat builders we work with on these projects too.

Another thing that always impresses is Seaview's ability to deliver their systems quickly and accurately. No matter what combination of scanners, sensors and antennas I need to mount topsides, Seaview's team always seems to have the correct parts ready to go, and they deliver them on-time. The Seaview team is truly a pleasure to work with."

Jim McGowan  
Americas Marketing Manager  
FLIR Maritime and Raymarine

## GARMIN™

Garmin is proud to work with Seaview by PYI and we'd recommend them as a partner to do business with. In today's market, customer expectations are at an all-time high and aesthetics and functionality are at the forefront. Seaview has a proven track record of consistently delivering a professional and reliable product, and because of that, Garmin incorporates their products as often as we can in our demo boats and trade show displays.

David Dunn  
Garmin Sr. Manager Marine Sales & Marketing

## SI-TEX KODEN

"We have been working with PYI Seaveiw for a number of years now. Whenever a customer calls our SI-TEX Customer Service department and asks us to recommend a supplier for a Radar Antenna Mount, we instantly recommend PYI Seaveiw. Our experience working with PYI Seaveiw makes us very confident that they will have the right radar antenna mount for the customers installation no matter what type of boat it is or the size of the radar antenna."

Jason, and the staff at PYI Seaveiw go above and beyond researching all of our different SI-TEX and Koden radar antennas each year to make sure they will always have the right product for our customers.

Allen Schneider  
Vice President  
SI-TEX Marine Electronics

## SIMRAD

"I've had Seaview radar mounts on my boats for many years. I've never had any issues with my existing products! Whether I'm fitting out a new boat or upgrading the radar on my current boat, the customer service level is always at the highest possible level. The team at Seaview helps ensure I'm finding the right product for my application. It's always a pleasure working with the Seaview team & I would recommend their products to any of our Simrad customers."

Louis Chemi  
EVP & Managing Director, Recreational Marine Division  
Lowrance, Simrad, B&G

## FURUNO

PYI has been an excellent company for Furuno to work with for a number of years. Their off the shelf solutions have been fool-proof and we don't hesitate to recommend them for any boater. It's a very responsible company. Jason and the PYI team recently helped us on very short notice with a one-off, custom mount for a tricky demonstration and it went off on-time, under budget and without any problems at all. You can be confident you're getting great products and great support with PYI!

Matt Wood  
National Sales Manager  
Furuno USA



SEAVIEW  
IS PROUD  
TO SUPPORT  
THE WORLD'S  
LEADING  
MARINE  
ELECTRONIC  
MANUFACTURERS.  
HERE IS WHAT SOME  
OF THEM HAVE TO SAY  
ABOUT US!



## Intellian

"Intellian is happy to work with Seaview to provide our customers with a professional, stylish and cost effective mounting solution for the complete range of Satellite TV and Communication products."

Paul Comyns  
VP Global Marketing  
Intellian



Our customers have nothing but great things to say about Seaview products. They are well designed and look great, complimenting many of our KVH antennas well. With all the mounting options available for KVH products, Seaview is the recommended choice for any installation.

Ryan Smith  
Leisure Marine - National Sales Manager  
KVH Industries, Inc.

Image courtesy of Thunderbird.  
(Seaview PMA-DM2-M2 and LTB-S)

# WWW.SEAVIEWPROGRESS.COM

**HEADQUARTERS**

12532 Beverly Park Road  
Lynnwood, WA 98087  
(425) 355-3669  
info@pyiinc.com  
www.pyiinc.com

**EUROPEAN OFFICE**

ZI du Capitou, 85 rue Louis Lepine  
83600 Frejus - France  
+33 4 94 5327 70  
info@seaviewprogress.com  
www.seaviewprogress.com

Get social with us!

