

# INSTALLATION SUPPLEMENT

07/24/18

Speed & Temperature

for Models: UST800, UST850 connected to NMEA 0183 device

## Modify DeviceNet Cable, 33-565-04, for use as Power Cable

Patent <http://www.airmar.com/patent.html>

17-627-01-rev. 04

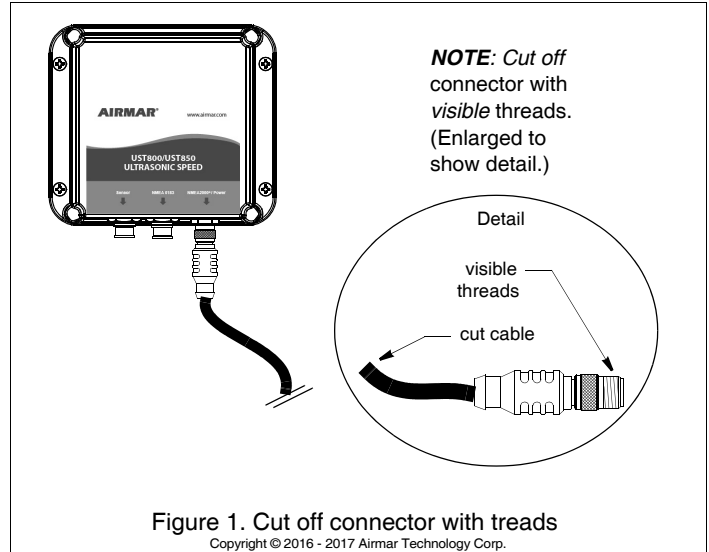
**Follow the precautions below for optimal product performance and to reduce the risk of property damage, personal injury, and/or death.**

**WARNING:** Always wear safety glasses, a dust mask, and ear protection when installing.

**WARNING:** The power must be OFF before proceeding.

**CAUTION:** Be sure to remove the connector with the exposed threads. Do not cut off the wrong connector because the cable will not connect to the Ultrasonic Speed Processor.

**IMPORTANT:** Read the instructions completely before proceeding with the installation. These instructions supersede any other instructions in your instrument manual if they differ.



## Application

To connect a UST800 or UST850 sensor to an NMEA 0183 device, you will need a power cable connected to the Ultrasonic Speed Processor. Modify the DeviceNet cable supplied for use as the power cable. This will bring electricity the Ultrasonic Speed Processor.

## Tools & Materials

Safety glasses  
Dust mask  
Ear protection  
Cutting pliers  
Wire strippers

## Preparing the Cable

1. Be sure the power is off. Connect the cable to the Ultrasonic Speed Processor—only one of the connectors will fit (Figure 1). This will ensure that you cut off the correct connector.
2. Cut off the unused connector with the visible threads.
3. Strip 6cm (2-1/2") of the outer jacket and foil shield from the cut end of the cable (Figure 2).
4. Cut off the blue and white wires flush with outer jacket of the cable.
5. Strip 13mm (1/2") of insulation from the end of the red and black wires.
6. Make a flag label by wrapping the label supplied around the cable near the cut end. This function label contains the color code for connecting the colored wires to a power supply.

## Replacement Parts

Obtain parts from your instrument manufacturer or marine dealer.

### Gemeco

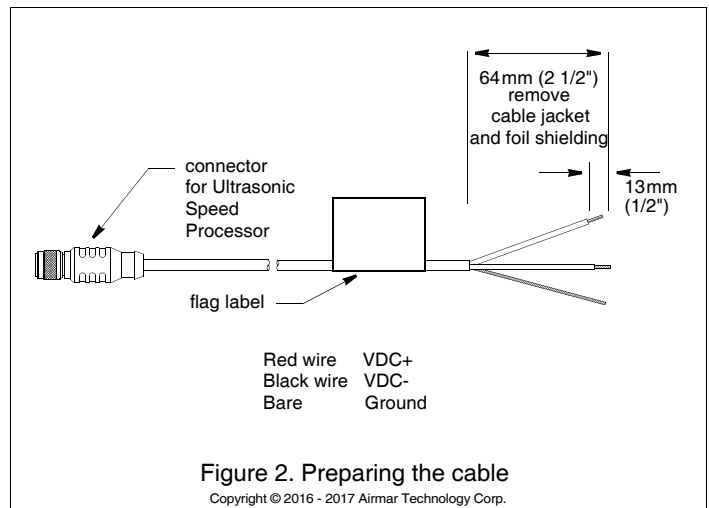
### USA

Tel: 803-693-0777  
email: sales@gemeco.com

### Airmar EMEA

### Europe, Middle East, Africa

Tel: +33.(0)2.23.52.06.48  
email: sales@airmar-emea.com



35 Meadowbrook Drive, Milford, New Hampshire 03055-4613, USA  
•www.airmar.com

Copyright © 2016 - 2018 Airmar Technology Corp. All rights reserved.

