



HT200

High-Precision Smart™ Temperature Sensor for Commercial and Sport Fishing

When Response Time is Critical

Whether you're bluewater fishing offshore or fishing along tidal estuaries, finding temperature breaks deep below the water surface or on the water surface where two bodies of water collide can make the difference in finding fish. The HT200 has a large bronze surface area that offers a super fast 0.15 second time response to changes in water temperature. Simply overlay the temperature readout over the cartography or the sounder screen and keep an eye for any temperature changes as well as fish strikes. Marking the line between hot and cold temperatures is crucial to finding fish—and with the HT200 you will not go home empty handed!

Product Features

- High-precision temperature
- $\pm 0.3^{\circ}\text{C}$ ($\pm 0.17^{\circ}\text{F}$) accuracy
- Retractable sensor insert fits P17, B17, and SS577 housings
- These low-profile housings are nearly flush and minimize drag with only 5 mm (3/16") extending outside the hull
- NMEA 2000® certified



Sensing Technology

TECHNICAL INFORMATION

Specification

Weight

- 0.6 kg (1.3 lb)—Plastic
- 1.3 kg (2.8 lb)—Bronze
- 1.6 kg (3.5 lb)—Stainless Steel

Temperature Accuracy

±0.3°C (±0.17°F)

Temperature Resolution

0.01°C (0.02°F)

Data Update Rate

2 per second

Data Output Protocol

NMEA 2000®

Supply Voltage

9 VDC to 50 VDC

Supply Current

30 mA maximum

Maximum Extension Cable Length

6 m (20')

Hole Diameter

51 mm (2")

Temperature Range

0°C to 30°C (32°F to 86°F)

NMEA 2000

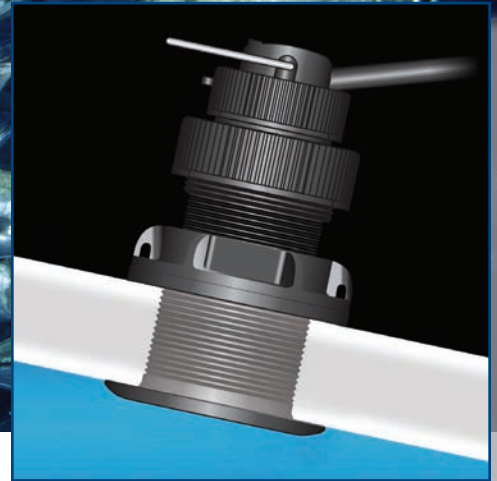
Load Equivalency Number (LEN)

1

Data Output Protocol

NMEA 2000 Supported PGNs

- | | |
|---------------|--|
| 59392 | ISO Acknowledgement |
| 60928 | ISO Address Claim |
| 126208 | Acknowledge Group Function |
| 126464 | Transmit PGN List Group Function |
| 126464 | Received PGN List Group Function |
| 126996 | Product Information |
| 126998 | Configuration Information |
| 130310 | Environmental Parameters (Water Temperature) |
| 130311 | Environmental Parameters (Water Temperature) |
| 130312 | Temperature (Sea Water) |



Dimensions

P17 Plastic, B17 Bronze, and SS577 Stainless Steel

ø 75 mm
(2.94")

